

Spring Relief Devices

Introduction

- ⦿ Spring relief devices can be used with FITOK sample cylinders as a safety device.
- ⦿ When the system pressure reaches the set pressure, the device will open automatically to release the excess pressure in the system. After stabilizing the system pressure, the device will close automatically.



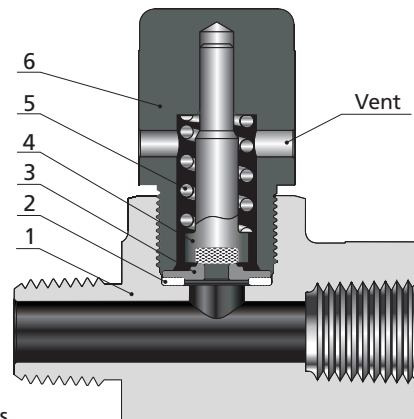
Working Temperature

-20°F~250°F (-29°C~121°C)

Materials of Construction

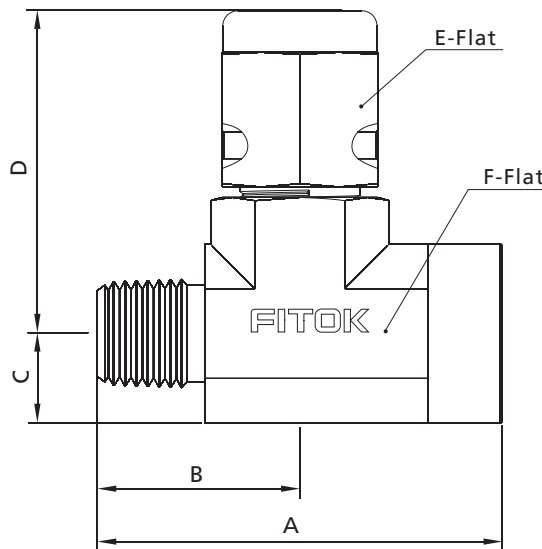
Item	Component	Material Grade/ASTM Specification
1	Body	316 SS/A182
2	Gasket	PCTFE/D1430
3	Seat	316 SS/A479
4	Stem	316 SS/A479+Fluorocarbon FKM
5	Spring	304 SS/A313
6	Bonnet	316 SS/A479

1. Lubricant: Silicone-based.
2. For other materials, please contact FITOK Group or our authorized distributors.



Dimensions and Ordering Information

All dimensions are for reference only and are subject to change.



Basic Ordering Number	Connection Type and Size		Dimensions, in. (mm)						Set Pressure, psig (bar)
	Inlet	Outlet	A	B	C	D	E	F	
RTSS-NS4-FNS4-4	1 / 4 Male NPT	1 / 4 Female NPT	2.11 (53.6)	1.05 (26.8)	0.46 (11.7)	1.68 (42.7)	0.81 (20.6)	0.81 (20.6)	350 ~ 400 (24~27)
RTSS-NS4-FNS4-6									540 ~ 600 (37~41)
RTSS-NS4-FNS4-8									700 ~ 800 (48~55)
RTSS-NS6-FNS4-4	3 / 8 Male NPT								350 ~ 400 (24~27)
RTSS-NS6-FNS4-6									540 ~ 600 (37~41)
RTSS-NS6-FNS4-8									700 ~ 800 (48~55)

For other set pressures, please contact FITOK Group or our authorized distributors.