

# Line Pressure Regulators

## HPL-06 Series High Pressure High Flow Regulators

### Features

- ⦿ For high pressure and high flow applications
- ⦿ Large piston sensor gives excellent sensitivity
- ⦿ Balanced valve design ensures stable downstream pressure
- ⦿ Three porting configurations available
- ⦿ Panel mounting available
- ⦿ With special cleaning and packaging, applicable to oxygen-enriched environments

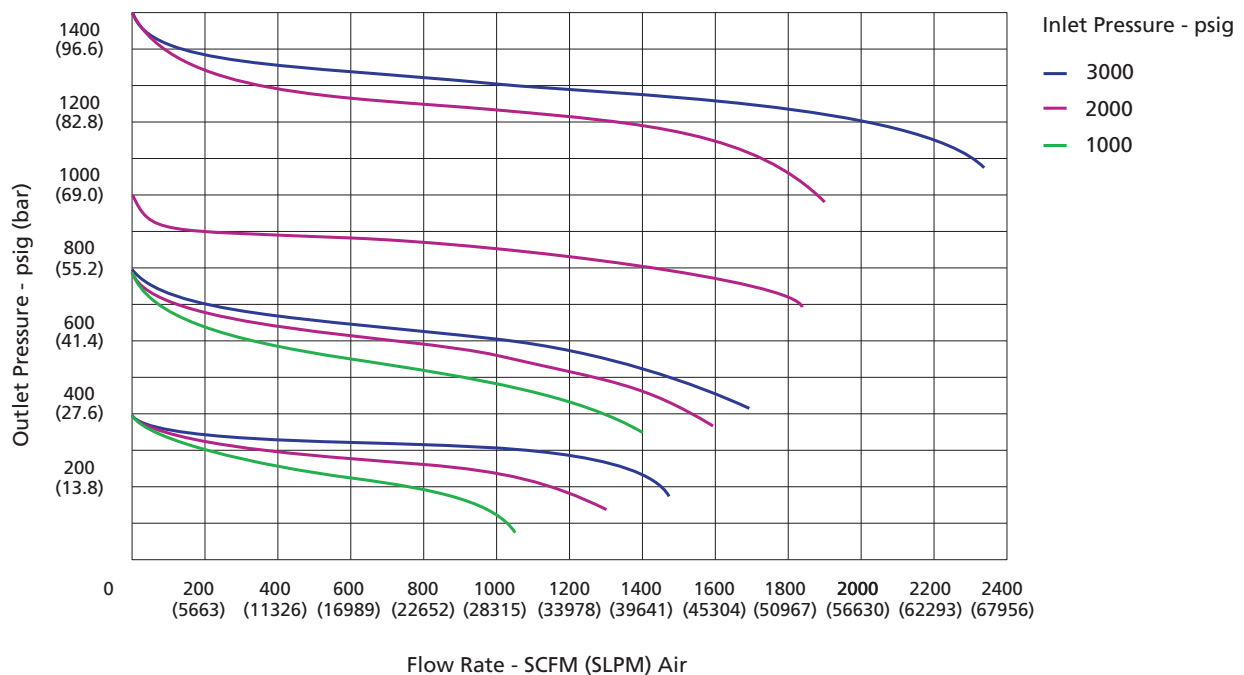
### Technical Data

- ⦿ Maximum inlet pressure:  
Stainless steel: 4500 psig  
Brass: 3750 psig
- ⦿ Outlet pressure ranges: 0~300, 0~600, 0~1000, 0~1500 psig
- ⦿ Material of the main components:  
Body: 316 SS or brass  
Seat: PCTFE  
Piston: 316L  
O-rings: Viton or Kalrez
- ⦿ Temperature: -15°F~+220°F (-25°C~+104°C)
- ⦿ Leak rates:  
Internal: Bubble-tight  
External: Bubble-tight
- ⦿ Flow coefficient (Cv): 2.0
- ⦿ Weight (regulator only): ≈ 6.25 lbs (2.83 Kg)
- ⦿ Body ports: 1/2" female NPT for inlet, outlet,  
1/4" female NPT for gauge



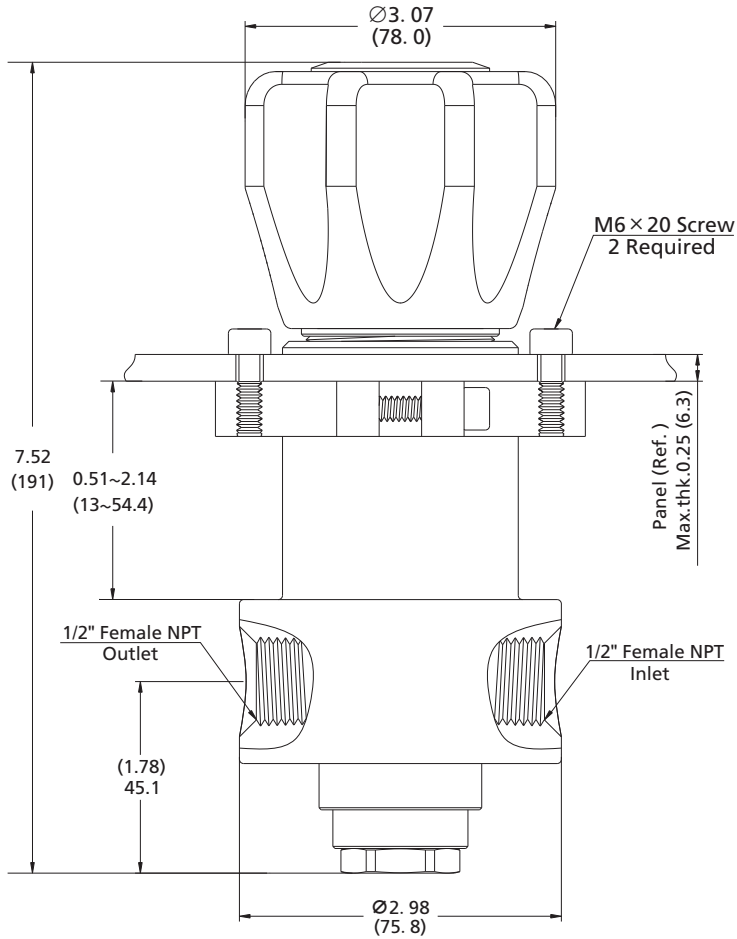
Model: HPL-06SS-45-1000-04-04-Z

### Typical Flow Chart

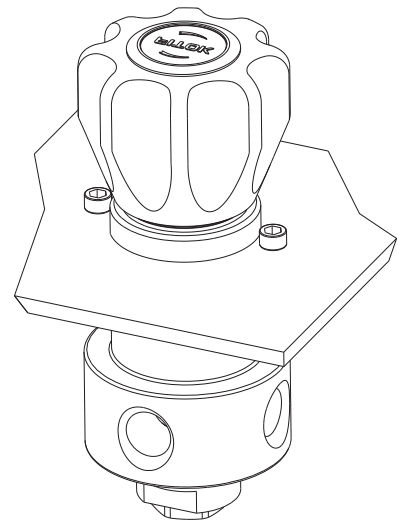


## Dimensions

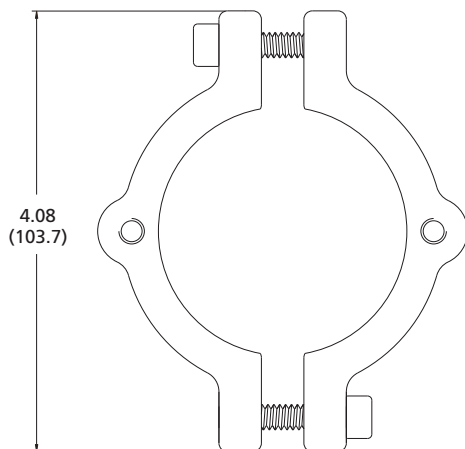
Dimensions, in inches (millimeters), are for reference only.



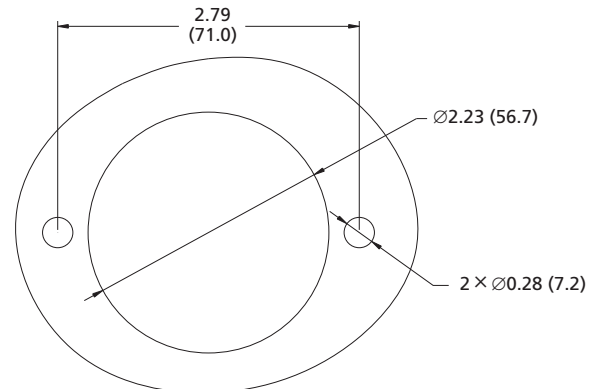
Panel Mounting



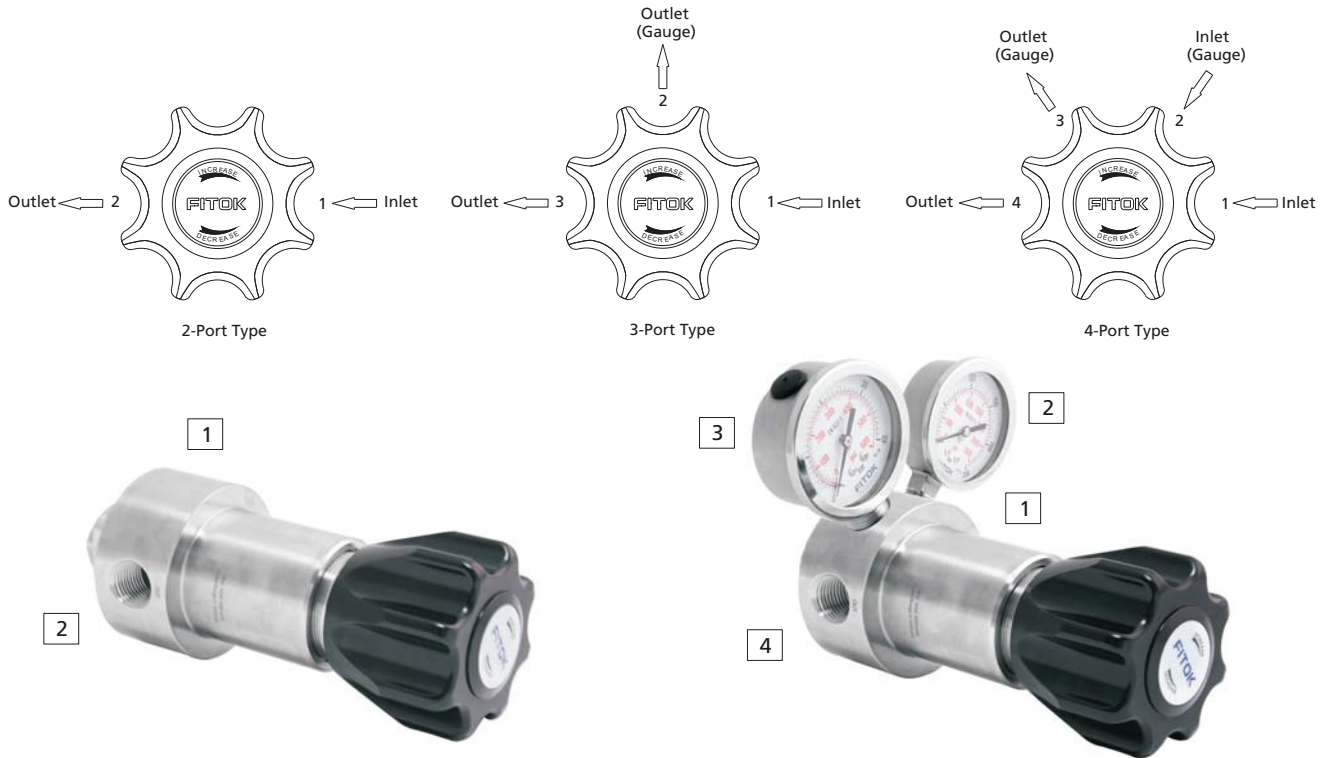
Panel Mounting Kit



Panel Cut-out



## Porting Configurations



## Part Number Description

HPL - 06V Z		6L		- 45 - 600 - 04		- B		- B - 04 - Z			
Vent Option		Body Material		Inlet Pressure P1		Connection 1		Connection 2		Connection 3	
Without	SS 316 SS	37	3750 psig	04	1/2" Female NPT	B	With Gauge (psi/bar)	Same as Connection 2			
V With	6L 316L SS	45	4500 psig	12	1/2" Tube Fitting	M	With Gauge (MPa)	Connection 4			
O-ring Material		B Brass (Max. Inlet Pressure 3750 psig)		Outlet Pressure Range P2		14 3/4" Tube Fitting		P Plug		Same as Connection 1	
Viton			300	0~300 psig	22 10 mm Tube Fitting		00	1/4" Female NPT			
Z Kalrez			600	0~600 psig	23 12 mm Tube Fitting		01	1/4" Male NPT	Panel Mount		
				1000	0~1000 psig	Other connections are available upon request		10	1/4" Tube Fitting	Without	
				1500	0~1500 psig			11	3/8" Tube Fitting	Z With	
								20	6 mm Tube Fitting		
								21	8 mm Tube Fitting		
								Other connections are available upon request			

Note: Most configurations are available.

Examples of part number:

a. 2-Port type (1 in, 1 out): HPL-06B-37-600-04-04

b. 3-Port type (1 in, 2 out): HPL-066L-45-1000-04-B-04

c. 4-Port type (2 in, 2 out): HPL-06SS-45-1500-04-B-B-04