

# Grease Fittings and Bleed Fittings

GCF Series, GCR Series, GSF Series, GST Series and VFS Series



**FITOK**  
Valves and Fittings

[www.fitokgroup.com](http://www.fitokgroup.com)

# Contents

## Grease Fittings

GCF Series	01
------------	----

GCR Series	03
------------	----

GSF Series	06
------------	----

GST Series	08
------------	----

## Bleed Fittings

VFS Series	10
------------	----

# Grease Fittings

## Application

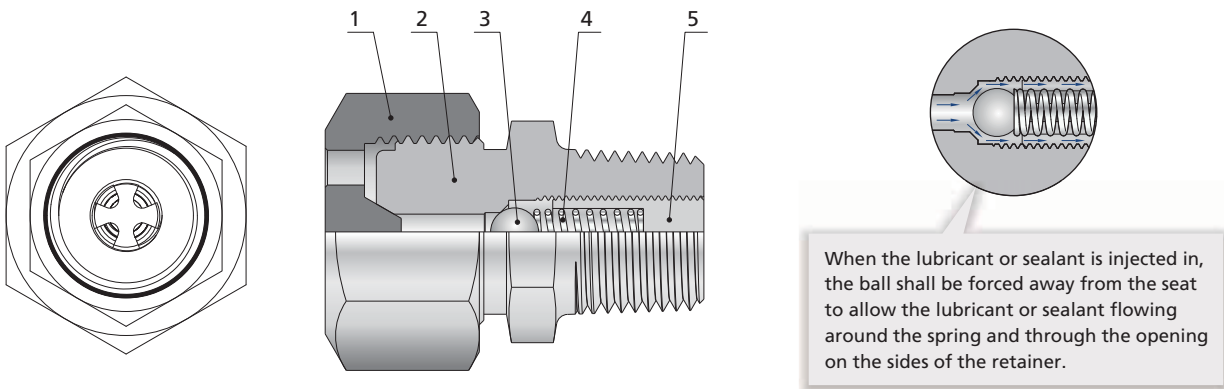
Installed onto the seat and stem of valves. Leakage may occur when the sealed part wears off or for other reasons. By injecting the grease through the grease fitting, the leakage will be sealed temporarily to secure time for remedial measures.

## GCF Series

### Features

- ⦿ Maximum working pressure: 10,000 psig (690 bar)
- ⦿ Special design to enable lubricant or sealant to flow in around the spring smoothly
- ⦿ All-metal construction, applicable in both high and low temperature environments

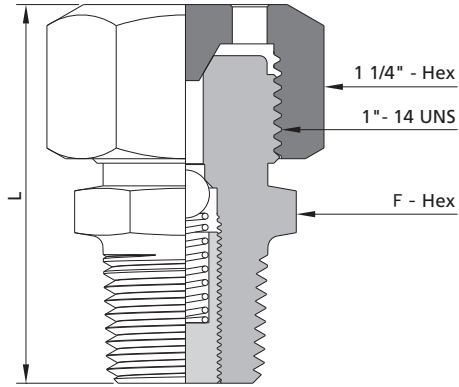
### Standard Structure and Material



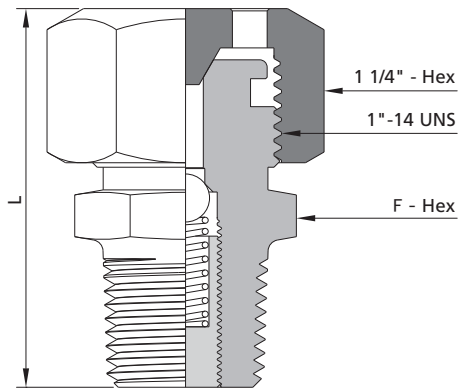
No.	Component	Material	
		Carbon Steel	316 SS
		Material Grade/ASTM Standard	
1	Vent Cap	CS (Zinc)	316 SS/A276
2	Body	CS (Zinc)	316 SS/A276
3	Ball	440C/A276	440C/A276
4	Spring	302 SS/A313	X-750/AMS 5699
5	Retainer	CS (Zinc)	316 SS/A276

## Dimensions

### NPT Male Thread

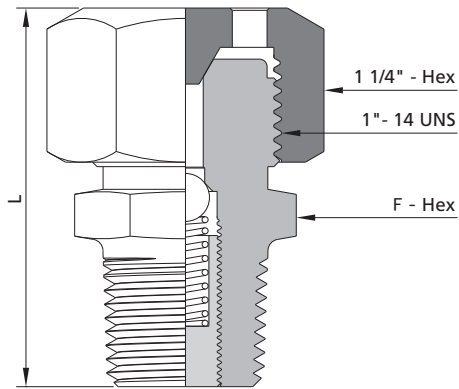


Basic Ordering Number	Connection Type and Size	Dimension, in.(mm)	
		L	F
□□-GCF-NS4	1/4" NPT Male Thread	1.95(49.6)	1.00(25.4)
□□-GCF-NS6	3/8" NPT Male Thread	1.95(49.6)	1.00(25.4)
□□-GCF-NS8	1/2" NPT Male Thread	1.95(49.6)	1.00(25.4)
□□-GCF-NS12	3/4" NPT Male Thread	1.97(50.1)	1.13(28.58)
□□-GCF-NS16	1" NPT Male Thread	2.17(55.0)	1.31(33.34)

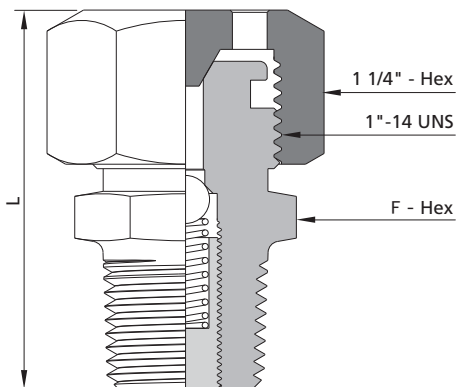


Basic Ordering Number	Connection Type and Size	Dimension, in.(mm)	
		L	F
□□-GCF-NS4-BH	1/4" NPT Male Thread	1.95(49.6)	1.00(25.4)
□□-GCF-NS6-BH	3/8" NPT Male Thread	1.95(49.6)	1.00(25.4)
□□-GCF-NS8-BH	1/2" NPT Male Thread	1.95(49.6)	1.00(25.4)
□□-GCF-NS12-BH	3/4" NPT Male Thread	1.97(50.1)	1.13(28.58)
□□-GCF-NS16-BH	1" NPT Male Thread	2.17(55.0)	1.31(33.34)

### BSPT Male Thread

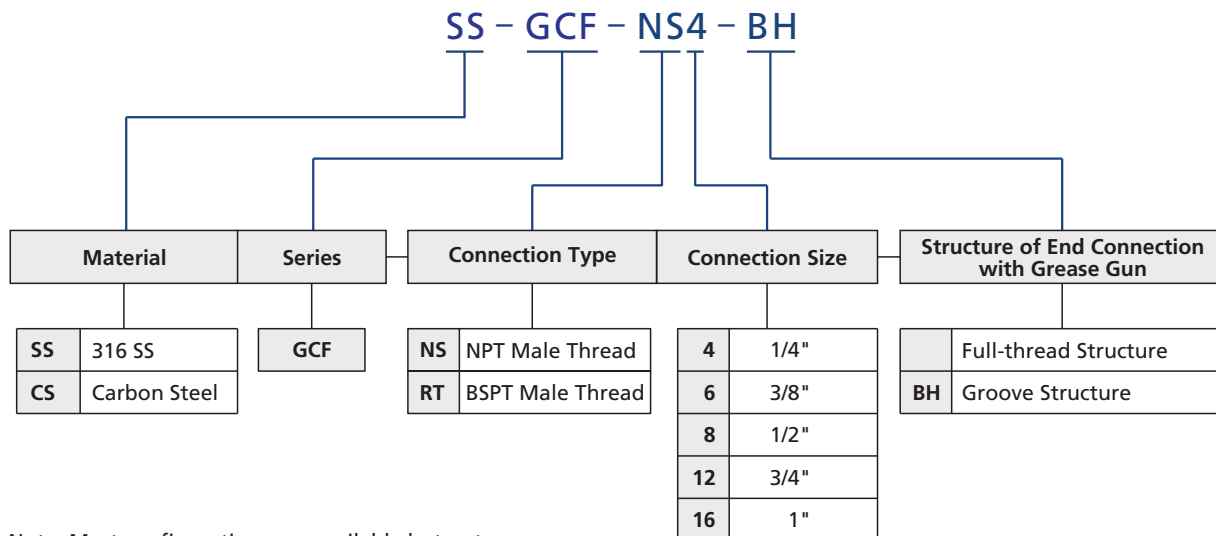


Basic Ordering Number	Connection Type and Size	Dimension, in.(mm)	
		L	F
□□-GCF-RT4	1/4" BSPT Male Thread	1.95(49.6)	1.00(25.4)
□□-GCF-RT6	3/8" BSPT Male Thread	1.95(49.6)	1.00(25.4)
□□-GCF-RT8	1/2" BSPT Male Thread	1.95(49.6)	1.00(25.4)
□□-GCF-RT12	3/4" BSPT Male Thread	1.97(50.1)	1.13(28.58)
□□-GCF-RT16	1" BSPT Male Thread	2.17(55.0)	1.31(33.34)



Basic Ordering Number	Connection Type and Size	Dimension, in.(mm)	
		L	F
□□-GCF-RT4-BH	1/4" BSPT Male Thread	1.95(49.6)	1.00(25.4)
□□-GCF-RT6-BH	3/8" BSPT Male Thread	1.95(49.6)	1.00(25.4)
□□-GCF-RT8-BH	1/2" BSPT Male Thread	1.95(49.6)	1.00(25.4)
□□-GCF-RT12-BH	3/4" BSPT Male Thread	1.97(50.1)	1.13(28.58)
□□-GCF-RT16-BH	1" BSPT Male Thread	2.17(55.0)	1.31(33.34)

## Part Number Description

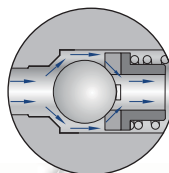
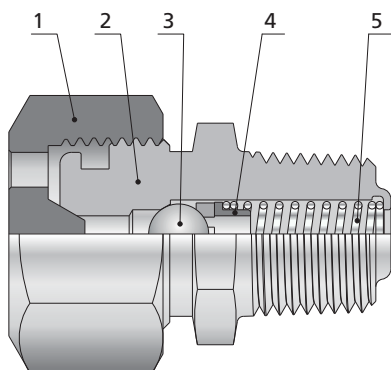


## GCR Series

### Features

- ⦿ Maximum working pressure: 10,000 psig
- ⦿ Special design to enable the lubricant and sealant to flow through the ball support and the opening of the spring smoothly
- ⦿ Special curling design to secure the spring and internal parts from dropping out
- ⦿ All-metal construction, applicable in both high-temperature and low-temperature environments

### Standard Structure and Material

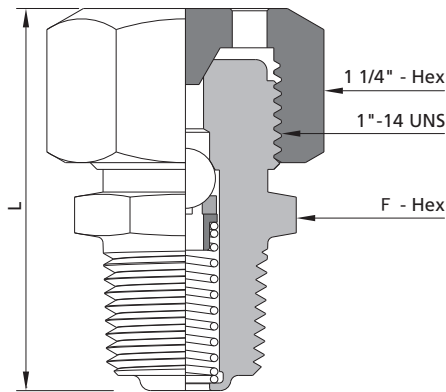


When the ball is off the seat, the lubricant or sealant shall flow through the center of the spring, without flowing through the spring coil.

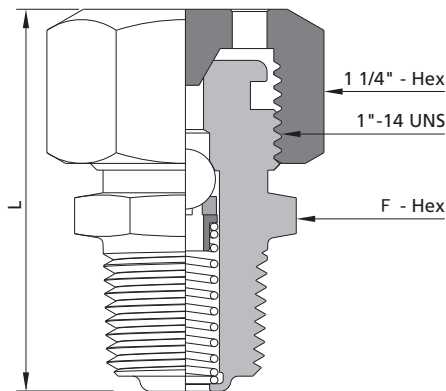
No.	Component	Material	
		Carbon Steel	316 SS
		Material Grade/ASTM Standard	
1	Cap	CS (Zinc)	316 SS/A276
2	Body	CS (Zinc)	316 SS/A276
3	Ball	440C/A276	440C/A276
4	Ball Support	CS (Zinc)	316 SS/A276
5	Spring	302 SS/A313	X-750/AMS 5699

## Dimensions

### NPT Male Thread

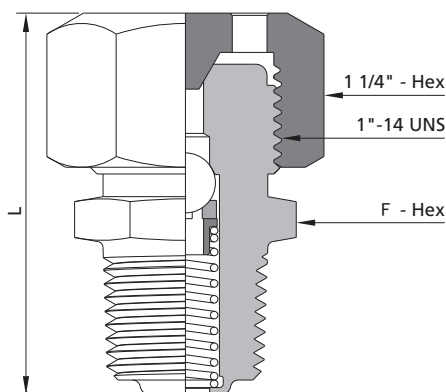


Basic Ordering Number	Connection Type and Size	Dimension, in.(mm)	
		L	F
□□-GCR-NS4	1/4" NPT Male Thread	1.91(48.6)	1.00(25.4)
□□-GCR-NS6	3/8" NPT Male Thread	1.95(49.6)	1.00(25.4)
□□-GCR-NS8	1/2" NPT Male Thread	1.97(50.1)	1.00(25.4)
□□-GCR-NS12	3/4" NPT Male Thread	1.97(50.1)	1.13(28.6)
□□-GCR-NS16	1" NPT Male Thread	1.67(55.0)	1.31(33.3)

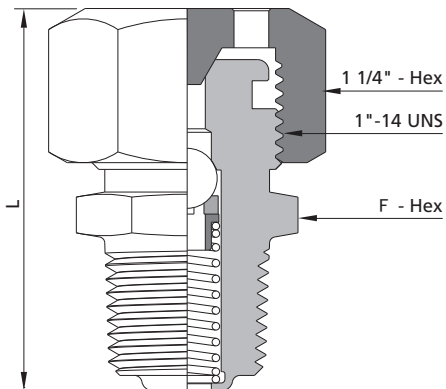


Basic Ordering Number	Connection Type and Size	Dimension, in.(mm)	
		L	F
□□-GCR-NS4-BH	1/4" NPT Male Thread	1.91(48.6)	1.00(25.4)
□□-GCR-NS6-BH	3/8" NPT Male Thread	1.95(49.6)	1.00(25.4)
□□-GCR-NS8-BH	1/2" NPT Male Thread	1.97(50.1)	1.00(25.4)
□□-GCR-NS12-BH	3/4" NPT Male Thread	1.97(50.1)	1.13(28.6)
□□-GCR-NS16-BH	1" NPT Male Thread	1.67(55.0)	1.31(33.3)

### BSPT Male Thread

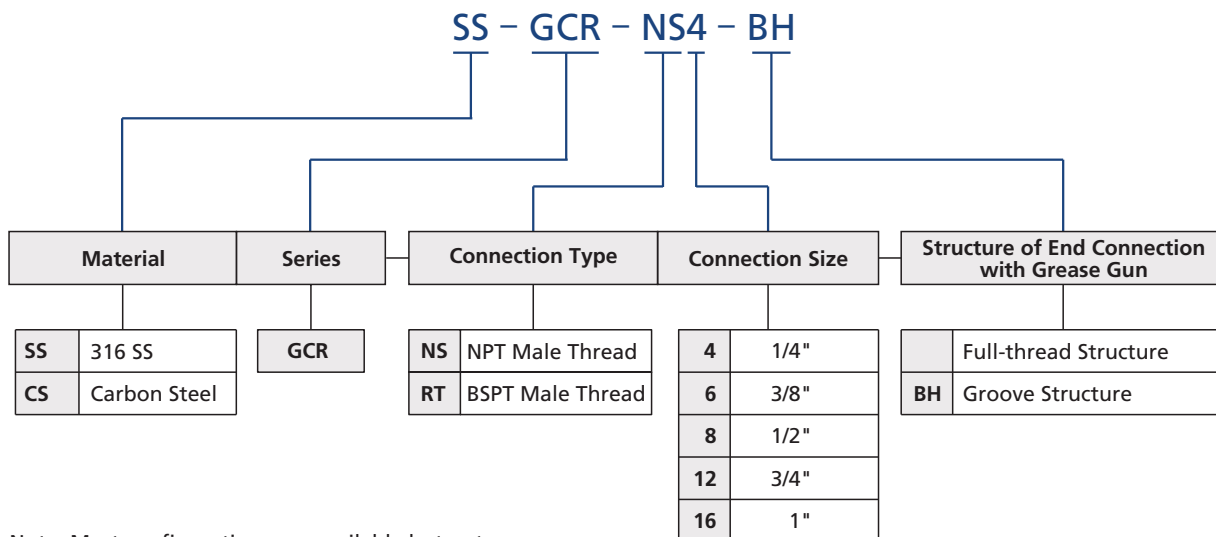


Basic Ordering Number	Connection Type and Size	Dimension, in.(mm)	
		L	F
□□-GCR-RT4	1/4" BSPT Male Thread	1.91(48.6)	1.00(25.4)
□□-GCR-RT6	3/8" BSPT Male Thread	1.95(49.6)	1.00(25.4)
□□-GCR-RT8	1/2" BSPT Male Thread	1.97(50.1)	1.00(25.4)
□□-GCR-RT12	3/4" BSPT Male Thread	1.97(50.1)	1.13(28.6)
□□-GCR-RT16	1" BSPT Male Thread	1.67(55.0)	1.31(33.3)



Basic Ordering Number	Connection Type and Size	Dimension, in.(mm)	
		L	F
□□-GCR-RT4-BH	1/4" BSPT Male Thread	1.91(48.6)	1.00(25.4)
□□-GCR-RT6-BH	3/8" BSPT Male Thread	1.95(49.6)	1.00(25.4)
□□-GCR-RT8-BH	1/2" BSPT Male Thread	1.97(50.1)	1.00(25.4)
□□-GCR-RT12-BH	3/4" BSPT Male Thread	1.97(50.1)	1.13(28.6)
□□-GCR-RT16-BH	1" BSPT Male Thread	1.67(55.0)	1.31(33.3)

### Part Number Description

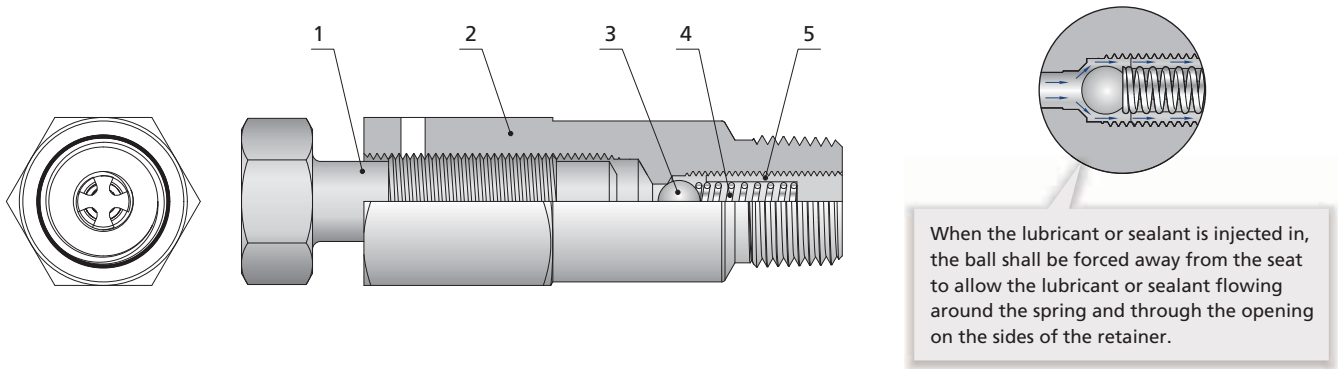


# GSF Series

## Features

- ⦿ Maximum working pressure: 10,000 psig (690 bar)
- ⦿ Special design to enable lubricant or sealant to flow in around the spring smoothly
- ⦿ All-metal construction, applicable in both high and low temperature environments

## Standard Structure and Material



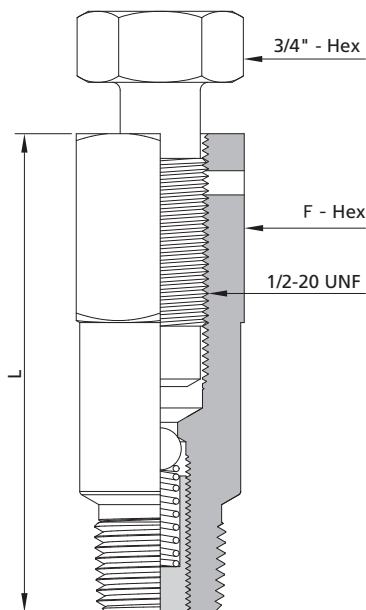
When the lubricant or sealant is injected in, the ball shall be forced away from the seat to allow the lubricant or sealant flowing around the spring and through the opening on the sides of the retainer.

No.	Component	Material	
		Carbon Steel	316 SS
		Material Grade/ASTM Standard	
1	Screw	CS (QPQ Processed+Zinc)	316 SS/A276 (QPQ Processed)
2	Body	CS (Zinc)	316 SS/A276
3	Ball	440C/A276	440C/A276
4	Spring	302 SS/A313	X-750/AMS 5699
5	Retainer	CS (Zinc)	316 SS/A276



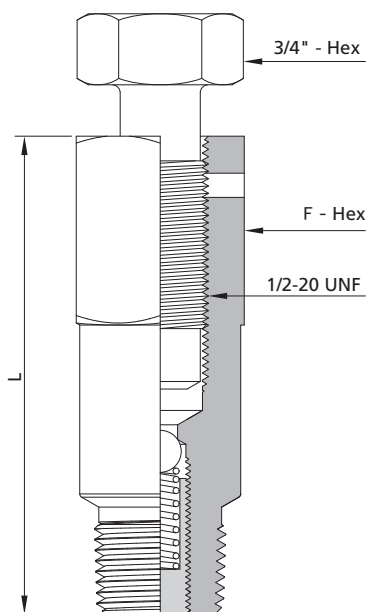
## Dimensions

### NPT Male Thread



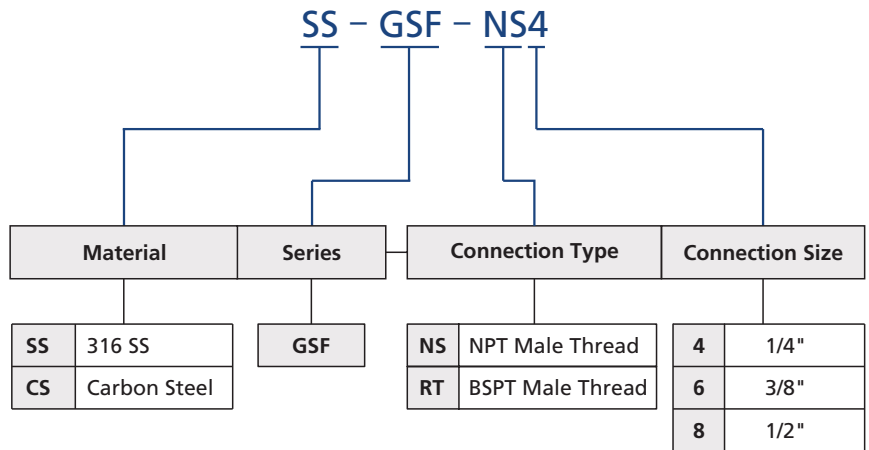
Basic Ordering Number	Connection Type and Size	Dimension, in.(mm)	
		L	F
□□-GSF-NS4	1/4" NPT Male Thread	2.49(63.3)	0.88(22.23)
□□-GSF-NS6	3/8" NPT Male Thread	2.49(63.3)	0.88(22.23)
□□-GSF-NS8	1/2" NPT Male Thread	2.49(63.3)	0.88(22.23)

### BSPT Male Thread



Basic Ordering Number	Connection Type and Size	Dimension, in.(mm)	
		L	F
□□-GSF-RT4	1/4" BSPT Male Thread	2.49(63.3)	0.88(22.23)
□□-GSF-RT6	3/8" BSPT Male Thread	2.49(63.3)	0.88(22.23)
□□-GSF-RT8	1/2" BSPT Male Thread	2.49(63.3)	0.88(22.23)

## Part Number Description



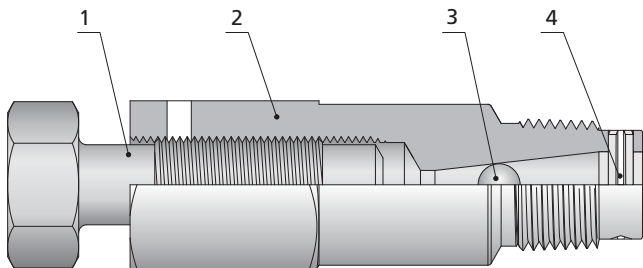
Note: Most configurations are available but not everyone.

## GST Series

### Features

- ◎ Maximum working pressure: 10,000 psig
- ◎ All-metal construction, applicable in both high-temperature and low-temperature environments

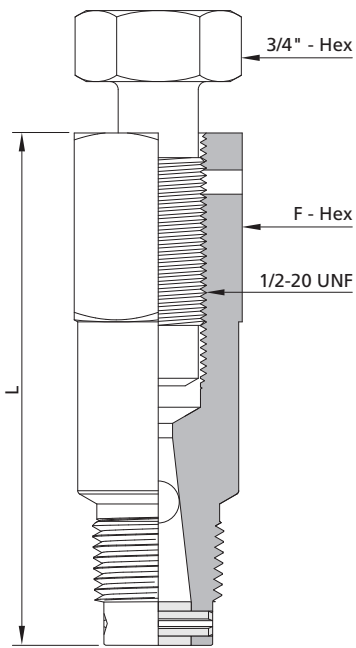
### Standard Structure and Material



No.	Component	Material	
		Carbon Steel	316 SS
		Material Grade/ASTM Standard	
1	Screw	CS (QPQ Processed+Zinc)	316 SS/A276 (QPQ Processed)
2	Body	CS (Zinc)	316 SS/A276
3	Ball	440C/A276	440C/A276
4	Spring Round Pin	Stainless Steel	Stainless Steel

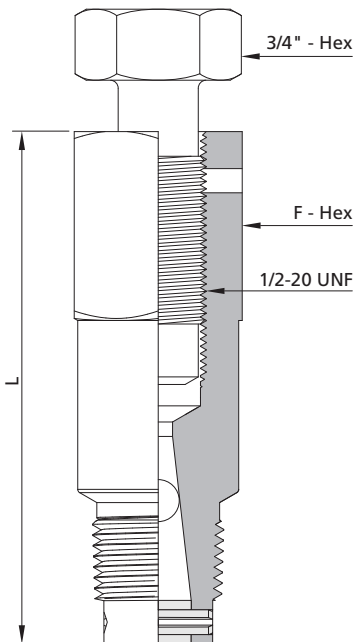
## Dimensions

### NPT Male Thread



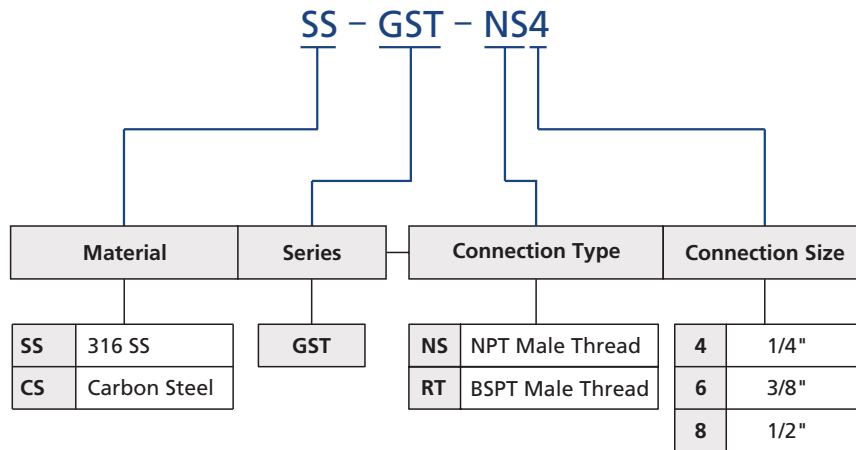
Basic Ordering Number	Connection Type and Size	Dimension, in.(mm)	
		L	F
□□-GST-NS4	1/4" NPT Male Thread	2.34(59.5)	0.86(22.23)
□□-GST-NS6	3/8" NPT Male Thread	2.43(61.8)	0.86(22.23)
□□-GST-NS8	1/2" NPT Male Thread	2.35(59.8)	0.86(22.23)

### BSPT Male Thread



Basic Ordering Number	Connection Type and Size	Dimension, in.(mm)	
		L	F
□□-GST-RT4	1/4" BSPT Male Thread	2.34(59.5)	0.86(22.23)
□□-GST-RT6	3/8" BSPT Male Thread	2.43(61.8)	0.86(22.23)
□□-GST-RT8	1/2" BSPT Male Thread	2.35(59.8)	0.86(22.23)

## Part Number Description



Note: Most configurations are available but not everyone.

# Bleed Fittings

## Application

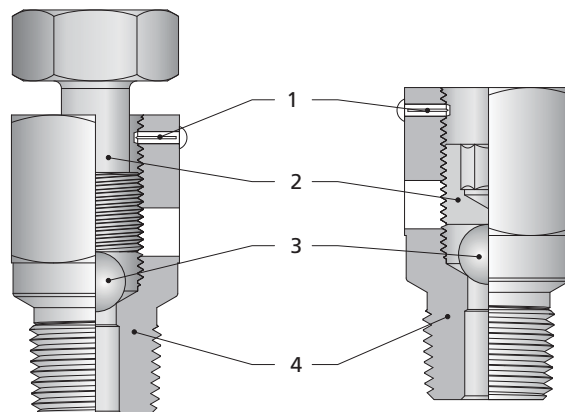
Installed onto the valve seat to vent the small amount of gas and pollutant in the valve.

## VFS Series

### Features

- ⦿ Maximum working pressure: 10,000 psig (690 bar)
- ⦿ All-metal construction, applicable in both high and low temperature environments

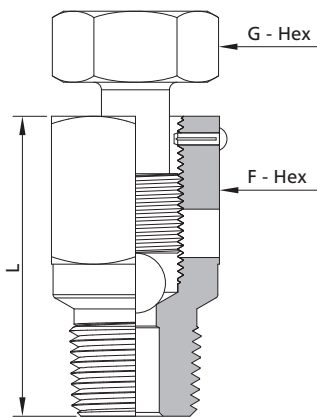
## Standard Structure and Material



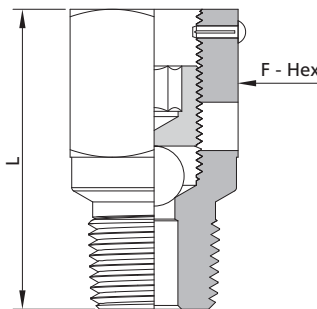
No.	Component	Material	
		Carbon Steel	316 SS
		Material Grade/ASTM Standard	
1	Round Head Grooved Pin	316 SS/A276	316 SS/A276
2	Screw	CS (Zinc)	316 SS/A276
3	Ball	440C/A276	440C/A276
4	Body	CS (Zinc)	316 SS/A276

## Dimensions

### NPT Male Thread

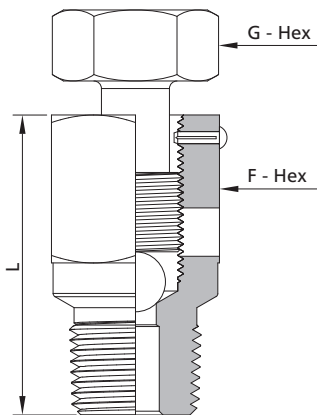


Basic Ordering Number	Connection Type and Size	Dimension, in.(mm)		
		L	F	G
□□-BVF-NS4	1/4" NPT Male Thread	1.63(41.3)	0.88(22.23)	0.75(19.05)
□□-BVF-NS6	3/8" NPT Male Thread	1.56(39.7)	0.88(22.23)	0.75(19.05)
□□-BVF-NS8	1/2" NPT Male Thread	1.50(38.1)	0.88(22.23)	0.75(19.05)
□□-BVF-NS12	3/4" NPT Male Thread	1.63(41.3)	1.13(28.58)	0.75(19.05)
□□-BVF-NS16	1" NPT Male Thread	2.19(55.6)	1.31(33.34)	0.81(20.64)
□□-BVF-NS20	1 1/4" NPT Male Thread	2.31(58.7)	1.75(44.45)	0.88(22.23)
□□-BVF-NS24	1 1/2" NPT Male Thread	2.63(66.7)	2.00(50.8)	0.88(22.23)

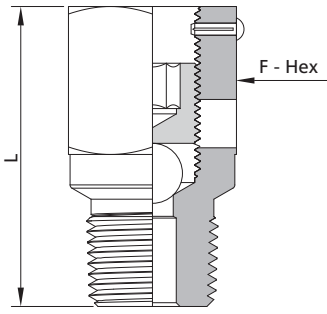


Basic Ordering Number	Connection Type and Size	Dimension	
		L	F
□□-BVF-NS4-SH	1/4" NPT Male Thread	1.63(41.3)	0.88(22.23)
□□-BVF-NS6-SH	3/8" NPT Male Thread	1.56(39.7)	0.88(22.23)
□□-BVF-NS8-SH	1/2" NPT Male Thread	1.50(38.1)	0.88(22.23)
□□-BVF-NS12-SH	3/4" NPT Male Thread	1.63(41.3)	1.13(28.58)

### BSPT Male Thread

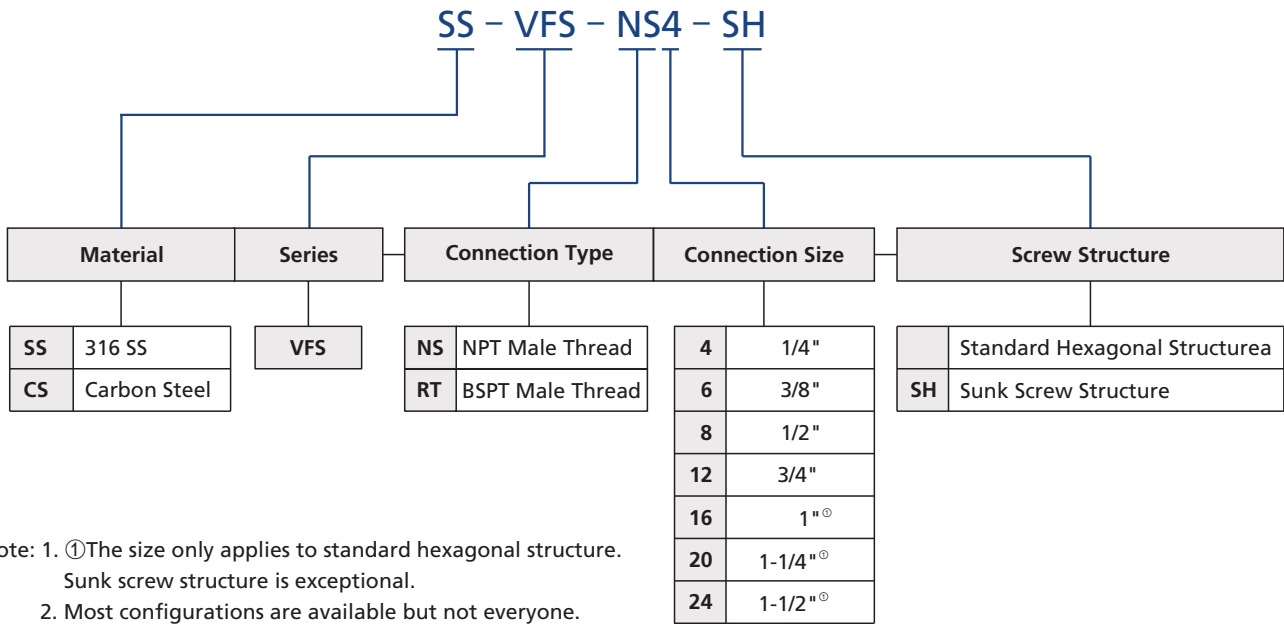


Basic Ordering Number	Connection Type and Size	Dimension, in.(mm)		
		L	F	G
□□-BVF-RT4	1/4" BSPT Male Thread	1.63(41.3)	0.88(22.23)	0.75(19.05)
□□-BVF-RT6	3/8" BSPT Male Thread	1.56(39.7)	0.88(22.23)	0.75(19.05)
□□-BVF-RT8	1/2" BSPT Male Thread	1.50(38.1)	0.88(22.23)	0.75(19.05)
□□-BVF-RT12	3/4" BSPT Male Thread	1.63(41.3)	1.13(28.58)	0.75(19.05)
□□-BVF-RT16	1" BSPT Male Thread	2.19(55.6)	1.31(33.34)	0.81(20.64)
□□-BVF-RT20	1 1/4" BSPT Male Thread	2.31(58.7)	1.75(44.45)	0.88(22.23)
□□-BVF-RT24	1 1/2" BSPT Male Thread	2.63(66.7)	2.00(50.8)	0.88(22.23)



Basic Ordering Number	Connection Type and Size	Dimension	
		L	F
□□-BVF-RT4-SH	1/4" BSPT Male Thread	1.63(41.3)	0.88(22.23)
□□-BVF-RT6-SH	3/8" BSPT Male Thread	1.56(39.7)	0.88(22.23)
□□-BVF-RT8-SH	1/2" BSPT Male Thread	1.50(38.1)	0.88(22.23)
□□-BVF-RT12-SH	3/4" BSPT Male Thread	1.63(41.3)	1.13(28.58)

### Part Number Description



## **FITOK Group**

### **FITOK GmbH (Headquarter)**

Sprendlinger Landstr. 115, 63069 Offenbach am Main, Germany  
Tel.: +49 69 8900 4498 Fax: +49 69 8900 4495

### **FITOK, Inc.**

13843 North Promenade Blvd., Suite 750, Stafford, Texas 77477, USA  
Tel.: +1 281 888 0077 Fax: +1 281 582 4051

### **FITOK Incorporated**

1-4F, Block C, Zone E, Yingtai Industrial Park, Dalang Street,  
Longhua New District, Shenzhen, 518109, China  
Tel.: +86 755 2803 2500 Fax: +86 755 2803 2619

### **FITOK Middle East Oil Equipment Trading LLC**

208-209, Makateb Building, Airport Road, P.O.Box 185412, Deira, Dubai, UAE  
Tel.: +971 4 2959 853 Fax: +971 4 2959 854

[info@fitokgroup.com](mailto:info@fitokgroup.com)  
[www.fitokgroup.com](http://www.fitokgroup.com)

FK-IC-GF-13-EN-180726