

# SERIES SL 5400

## SPRINGLESS REGULATOR

Intermediate pressure and flow range



- Single stage
- 10 µin. surface finish (7 and 5 µin. optional)
- 316L SS VAR secondary remelt construction
- Vacuum to 1000 psig (69 bar) inlet
- UHP Semiconductor cleaned, assembled, tested and packaged
- Cylinder and point of use applications
- Installation and operating instructions available at [www.aptech-online.com](http://www.aptech-online.com) in the Tech Briefs section

### Operating Parameters

Source pressure	vacuum to 1,000 psig (69 bar)
Delivery pressure	SL 5402 1 to 30 psig (0.07 to 2 bar)
	SL 5406 1 to 60 psig (0.07 to 4 bar)
	SL 5410 2 to 100 psig (0.14 to 7 bar)
Proof pressure	3,000 psig (207 bar)
Burst pressure	6,000 psig (414 bar)

### Other Parameters

Inlet /outlet connectors	1/4, 3/8 or 1/2 inch face seal or tube weld
Bonnet port	1/8 inch NPT
Flow coefficient (Cv)	0.23
Internal volume	1.2 in <sup>3</sup> (19.7 cm <sup>3</sup> )
Operating temperature	-40° to +160°F (-40° to +71°C)
Surface finish	10 µin (0.25 µm) Ra max standard; 7 µin (0.18 µm); and 5 µin (0.13 µm) optional
Inboard leakage	2 x 10 <sup>-10</sup> sccs
Outboard leakage	2 x 10 <sup>-9</sup> sccs He at 1,000 psig inlet pressure
Leakage across seat	4 x 10 <sup>-8</sup> sccs He at 1,000 psig inlet pressure
Installation	surface or panel (optional)
Supply pressure effect	1.6 psig per 100 psig source pressure change

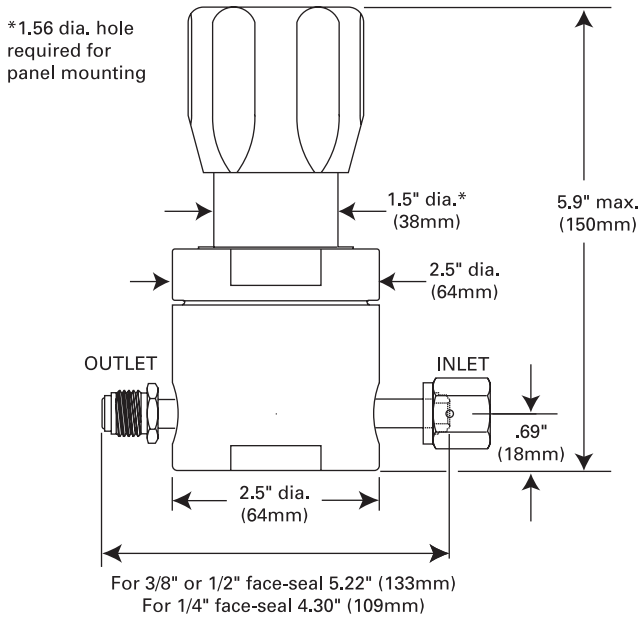
### Materials

	Series SL 5400 S Noncorrosive	Series SL 5400 SH Corrosive
Type of Service	Noncorrosive	Corrosive
Wetted Parts		
Body	SS 316L secondary remelt	SS 316L secondary remelt
Diaphragm	SS 316L	SS 316L
Poppet	stainless steel 316L	Ni-Cr-Mo alloy / UNS N06022
Finish	electropolished and passivated	electropolished and passivated
Seat	PCTFE (Polyimide optional)	PCTFE

All specifications subject to change without notice.

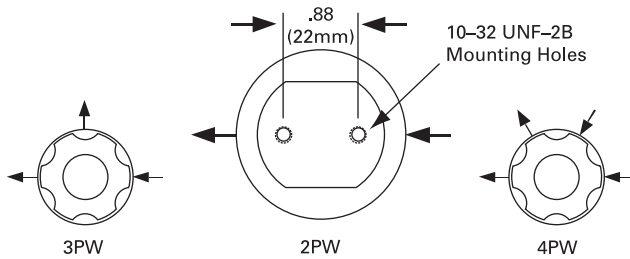
# SERVICE AND SUPPORT BEYOND COMPARE

## DIMENSIONAL INFORMATION



All dimensions in inches (mm). Metric dimensions are for reference only.

## PORTING CONFIGURATIONS



**CAUTION: Product selection is the sole responsibility of the user, regardless of any recommendations or suggestions made by the factory. The user shall make selections based upon their own analysis and testing with regard to function, material compatibility and product ratings. Proper installation, operation and maintenance are also required to assure safe, trouble free performance.**

## ORDERING INFORMATION

Sample Order Number

SL 5406SM 4PW FV4 FV4 10 L P

SL 5406 | Series

SL 5402 = 1-30 psig (.07 to 2 bar)  
SL 5406 = 1-60 psig (.07 to 4 bar)  
SL 5410 = 2-100 psig (.14 to 7 bar)

S | Material

S = Stainless steel (SS)  
SH = SS/Ni-Cr-Mo alloy poppet

M | Surface Finish Options

M = 10 μin. Ra max (standard)  
V = 7 μin. Ra max  
X = 5 μin. Ra max

4PW | Ports

2PW = 2 ports butt weld  
3PW = 3 ports butt weld  
4PW = 4 ports butt weld

FV4 FV4 | Connections Inlet / Outlet

FV4 = 1/4 inch face seal female  
MV4 = 1/4 inch face seal male  
FV6 = 3/8 inch face seal female  
MV6 = 3/8 inch face seal male  
FV8 = 1/2 inch face seal female  
MV8 = 1/2 inch face seal male

Tube weld stub available

10 L | Gauges\* Source / Delivery

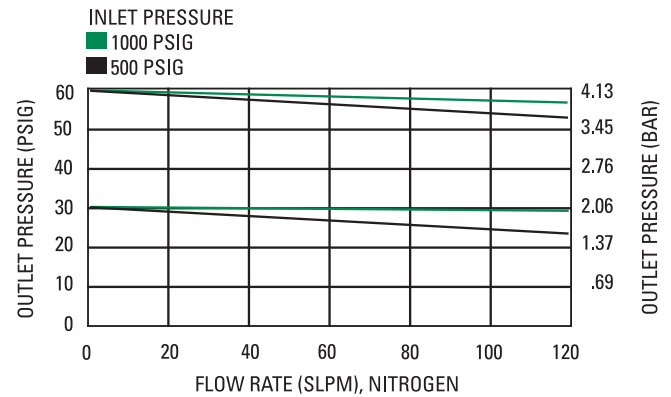
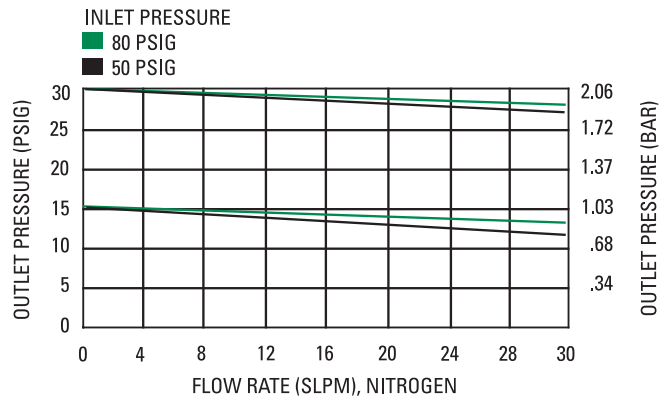
0 = No gauge  
V3 = 30-0-30 psig/bar  
L = 30-0-60 psig/bar  
1 = 30-0-100 psig/bar  
2 = 0-200 psig/bar  
4 = 0-400 psig/bar  
10 = 0-1000 psig/bar

\* Standard gauge ports are 1/4 inch face seal male

P | Options

P = Panel installation\*\*  
VS = Polyimide seat

\*\* On panel mount option, bonnet port is not threaded. Panel hole 1.56" diameter.



AP Tech has product options and variations which are not documented in data sheets. If you have a model number that is not defined by the ordering information, please consult the factory or your local representative.