



# SERIES AZ 9200

## SINGLE STAGE REGULATOR

Flow Rates to 2,000 SLPM (71 scfm)

- SS 316L construction
- High performance
- 10 µin. surface finish
- High flow with low particle generation
- 3/4 and 1 inch port size
- Tied diaphragm design
- Vacuum to 300 psig (21 bar) inlet
- Installation and operating instructions available at [www.aptech-online.com](http://www.aptech-online.com) in the Tech Briefs section

### Operating Parameters

Source pressure	AZ 9200	vacuum to 300 psig (21 bar)
Delivery pressure	AZ 9202	1 to 30 psig (0.07 to 2 bar)
	AZ 9206	2 to 60 psig (0.14 to 4 bar)
	AZ 9210	2 to 100 psig (0.14 to 7 bar)
	AZ 9215	5 to 150 psig (0.34 to 10 bar)
Proof pressure		450 psig (31 bar)
Burst pressure		1,500 psig (103 bar)

### Other Parameters

Inlet/outlet connectors	3/4 or 1 inch face seal or tube weld
Flow coefficient (Cv)	1.6
Internal volume	2.2 in <sup>3</sup> (36 cm <sup>3</sup> )
Operating temperature	-40° to +160°F (-40° to +71°C)
Surface finish	10 µin. (0.25 µm) Ra avg.
Inboard leakage	2 x 10 <sup>-10</sup> sccs
Outboard leakage	1 x 10 <sup>-9</sup> sccs He
Leakage across seat	4 x 10 <sup>-8</sup> sccs He
Installation	surface or panel (optional)
Supply pressure effect	7 psig per 100 psig source pressure change

### Materials

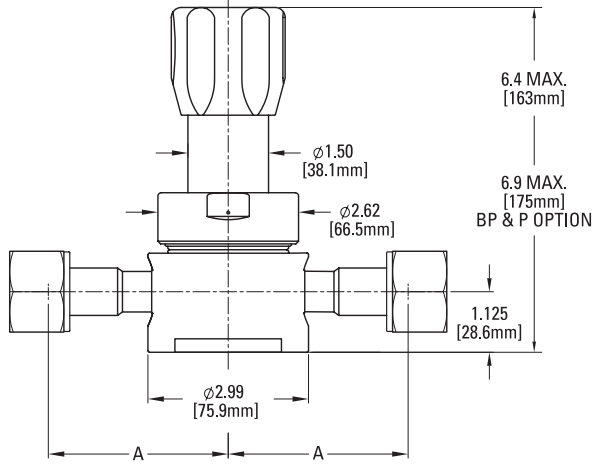
Series AZ 9200 S	
Wetted Parts	
Body, nozzle	stainless steel 316L*
Poppet	stainless steel 316L
Diaphragm	Ni-Cr-Mo alloy / UNS N06022
Finish	electropolished and passivated
Seat	PFA

All specifications subject to change without notice.

\*Please refer to product note PN 414 regarding single melt 316L SS material.

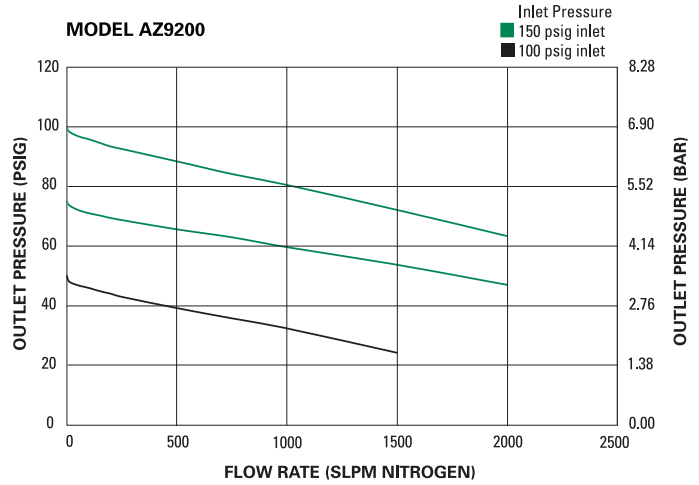
# SERVICE AND SUPPORT BEYOND COMPARE

## DIMENSIONAL INFORMATION

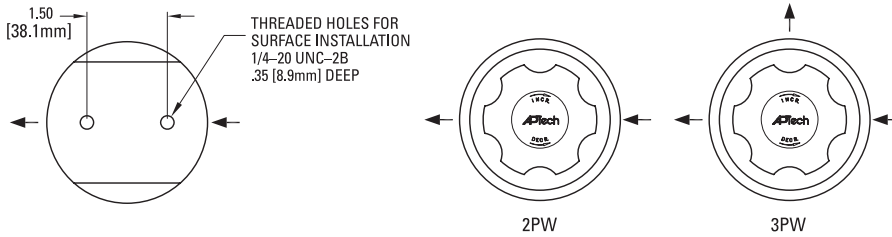


Connection	A	
	in	mm
FV12, MV12	3.39 ±.03	86.1
FV16, MV16	3.67 ±.03	93.2
TW12, TW16	3.00 ±.03	76.2

All dimensions in inches (mm).  
Metric dimensions are for reference only.



## PORTING CONFIGURATIONS



**CAUTION:** Product selection is the sole responsibility of the user, regardless of any recommendations or suggestions made by the factory. The user shall make selections based upon their own analysis and testing with regard to function, material compatibility and product ratings. Proper installation, operation and maintenance are also required to assure safe, trouble free performance.

## ORDERING INFORMATION

Sample Order Number		AZ 9210S 3PW FV12 FV12 1 P	
<b>AZ 9210</b>   Series	AZ 9202 = 1-30 psig (.07 to 2 bar) AZ 9206 = 2-60 psig (.14 to 4 bar) AZ 9210 = 2-100 psig (.14 to 7 bar) AZ 9215 = 5-150 psig (.34 to 10 bar)	<b>FV12 FV12</b>   Connections Inlet / Outlet	FV12 = 3/4 inch face seal female MV12 = 3/4 inch face seal male TW12 = 3/4 inch tube stub weld FV16 = 1 inch face seal female MV16 = 1 inch face seal male TW16 = 1 inch tube stub weld
<b>S</b>   Material	S = Stainless steel (SS)	<b>1</b>   Delivery Gauge*	0 = No gauge V3 = 30-0-30 psig/bar L = 30-0-60 psig/bar 1 = 30-0-100 psig/bar H = 30-0-160 psig/bar  * Standard gauge port is 1/4 inch face seal male (1/4 inch female available).
<b>3PW</b>   Ports	2PW = 2 ports butt weld 3PW = 3 ports butt weld	<b>P</b>   Options	P = Panel installation** BP = Bonnet vent port  ** Panel hole 1.56" diameter.