



# SERIES AZ 1300

## SINGLE STAGE REGULATOR

### High Flow Line Regulator

- SS 316L construction
- High flow free poppet design
- 10 µin. surface finish (25 µin. optional)
- High flow with low particle generation
- Flow rates to 1,000 slpm (35 scfm)
- Line regulator for specialty and bulk gases
- Vacuum to 300 psig (21 bar) inlet
- Installation and operating instructions available at [www.aptech-online.com](http://www.aptech-online.com) in the Tech Briefs section

#### Operating Parameters

Source pressure	AZ 1300	vacuum to 300 psig (21 bar)
Delivery pressure	AZ 1302	1 to 30 psig (0.07 to 2 bar)
	AZ 1306	2 to 60 psig (0.14 to 4 bar)
	AZ 1310	2 to 100 psig (0.14 to 7 bar)
	AZ 1315	5 to 150 psig (0.34 to 10 bar)
Proof pressure		450 psig (31 bar)
Burst pressure		1,200 psig (83 bar)

#### Other Parameters

Inlet/outlet connectors	1/4, 3/8, 1/2 inch face seal or tube weld
Flow coefficient (Cv)	1.1
Internal volume	1.19 in <sup>3</sup> (19.6 cm <sup>3</sup> )
Operating temperature	-40° to +160°F (-40° to +71°C)
Surface finish	10 µin. (0.25 µm) Ra avg.
	25 µin. (0.62 µm) optional
Inboard leakage	2 x 10 <sup>-10</sup> sccs
Outboard leakage	1 x 10 <sup>-9</sup> sccs He
Leakage across seat	4 x 10 <sup>-8</sup> sccs He
Installation	surface or panel (optional)
Supply pressure effect	4.6 psig per 100 psig source pressure change

#### Materials

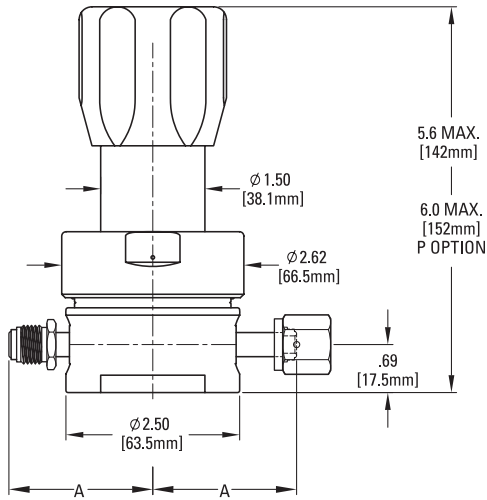
	Series AZ 1300 S
Wetted Parts	
Body, nozzle	stainless steel 316L*
Poppet	stainless steel 316L
Diaphragm	Ni-Cr-Mo alloy / UNS N06022
Finish	electropolished and passivated
Seat	PCTFE (PTFE optional)

All specifications subject to change without notice.

\*Please refer to product note PN 414 regarding single melt 316L SS material.

# SERVICE AND SUPPORT BEYOND COMPARE

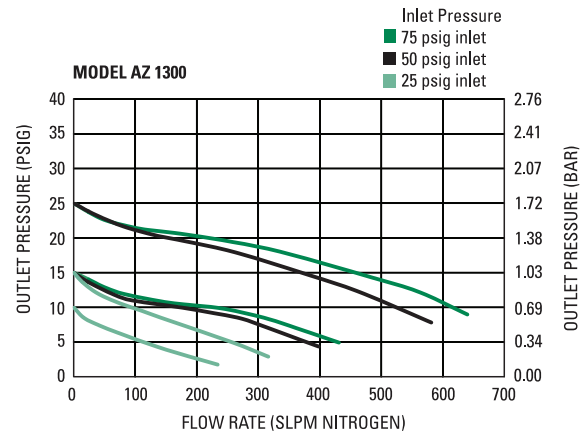
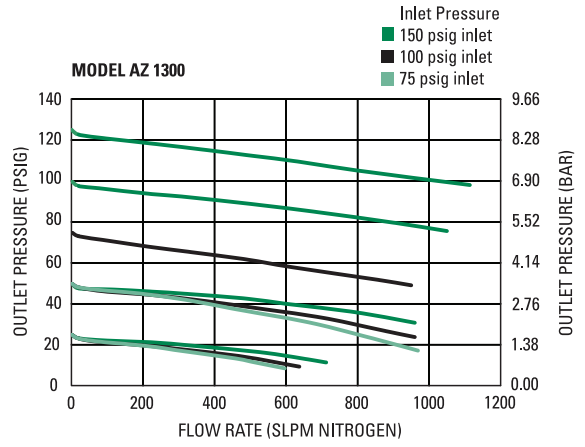
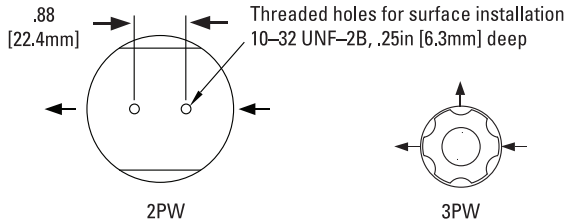
## DIMENSIONAL INFORMATION



Face Seal	A	
	in	mm
1/4 inch	2.15 ±.01	54.6
3/8, 1/2 inch	2.61 ±.02	66.3

All dimensions in inches (mm).  
Metric dimensions are for reference only.

## PORTING CONFIGURATIONS



**CAUTION: Product selection is the sole responsibility of the user, regardless of any recommendations or suggestions made by the factory. The user shall make selections based upon their own analysis and testing with regard to function, material compatibility and product ratings. Proper installation, operation and maintenance are also required to assure safe, trouble free performance.**

## ORDERING INFORMATION

Sample Order Number	AZ 1310SQ 3PW FV8 FV8 V3	
<b>AZ 1310   Series</b>	AZ 1302 = 1-30 psig (.07 to 2 bar) AZ 1306 = 2-60 psig (.14 to 4 bar) AZ 1310 = 2-100 psig (.14 to 7 bar) AZ 1315 = 5-150 psig (.34 to 10 bar)	<b>FV8 FV8   Connections Inlet / Outlet</b>  FV4 = 1/4 inch face seal female MV4 = 1/4 inch face seal male FV6 = 3/8 inch face seal female MV6 = 3/8 inch face seal male FV8 = 1/2 inch face seal female MV8 = 1/2 inch face seal male  Tube weld stub available
<b>S   Material</b>	S = Stainless steel (SS)	<b>V3   Delivery Gauge*</b>  0 = No gauge V3 = 30-0-30 psig/bar L = 30-0-60 psig/bar 1 = 30-0-100 psig/bar H = 30-0-160 psig/bar  * Standard gauge port is 1/4 inch face seal male (1/4 inch female available).
<b>Q   Surface Finish Option</b>	Q = 25 µin. Ra avg.	<b>P   Options</b>  P = Panel installation TF = PTFE seat Panel hole 1.56" diameter.
<b>3PW   Ports</b>	2PW = 2 ports butt weld 3PW = 3 ports butt weld	