

Line Pressure Regulators

FBR-1 Series Miniature Piston Regulators

Features

- Applicable to non-corrosive gases or low-viscosity liquids
- Easy to assemble and disassemble, convenient replacement of springs with different output ranges
- Robust piston-sensed design to provide safety and reliability
- With special cleaning and packaging, applicable to oxygen-enriched environments

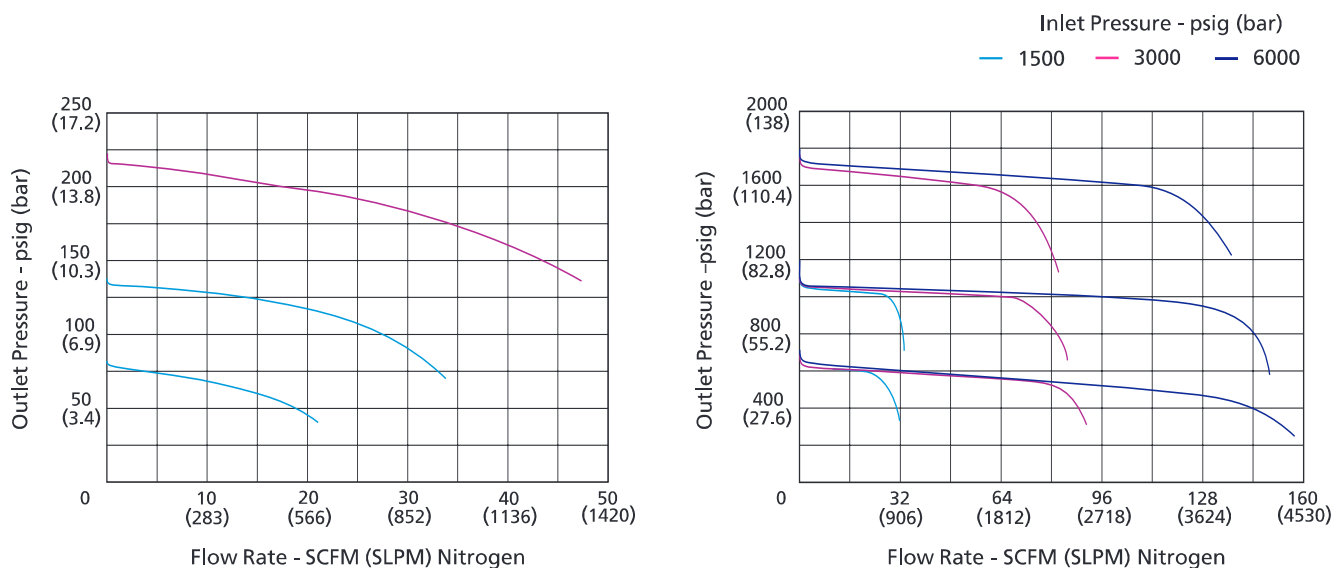


Model: FBR-15S-60-220-00-00-00-00

Technical Data

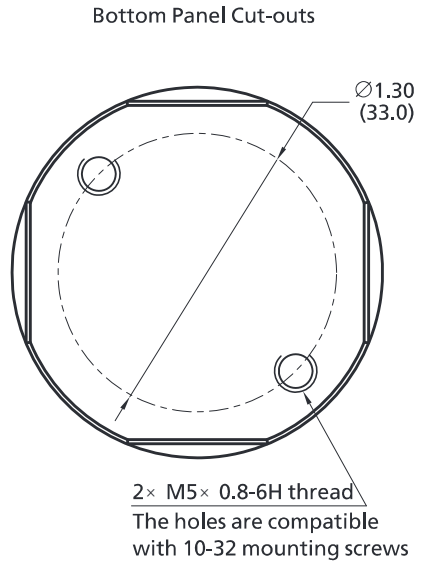
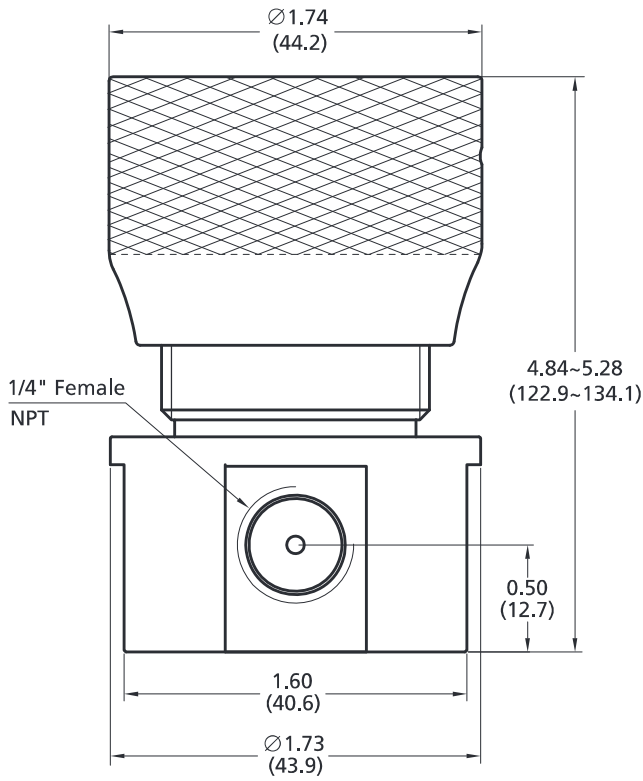
- Media contact materials
 - Body: 316, 316L or Brass (Nickel-plated)
 - Seat: PCTFE, PEEK or Vespel
 - Piston: Aluminium Alloy
 - O-ring: Viton, Kalrez or Buna-N
 - Filter: 316L
- Operating conditions
 - Maximum rated inlet pressure: 6000 psig
 - Outlet pressure ranges: 0~80, 0~140, 0~220, 0~700, 0~1200, 0~1800 psig
 - Temperature: -15°F~+165°F (-26°C~+74°C)
- Functional performance
 - Test pressure: 150% of maximum rated pressure
 - Burst pressure: 300% of maximum rated pressure
 - Leak rates:
 - Internal: Bubble-tight
 - External: Bubble-tight
- Flow coefficient (Cv): 0.06
- Weight(regulator only): 0.93 lbs (0.4 kg)
- Body ports: 1/4" female NPT for inlet and outlet

Typical Flow Chart

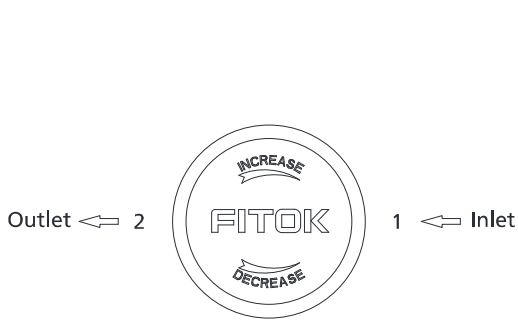


Dimensions

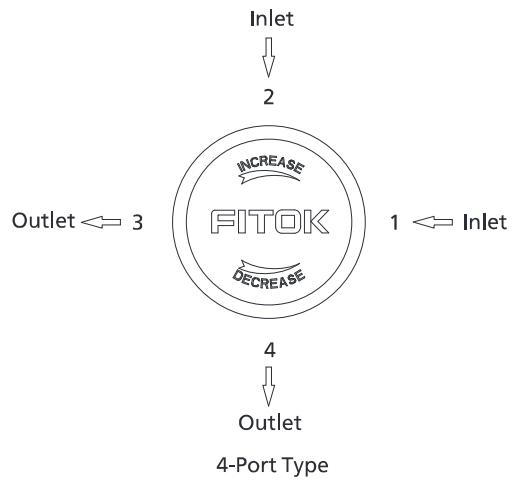
Dimensions, in inches (millimeters), are for reference only.



Porting Configurations



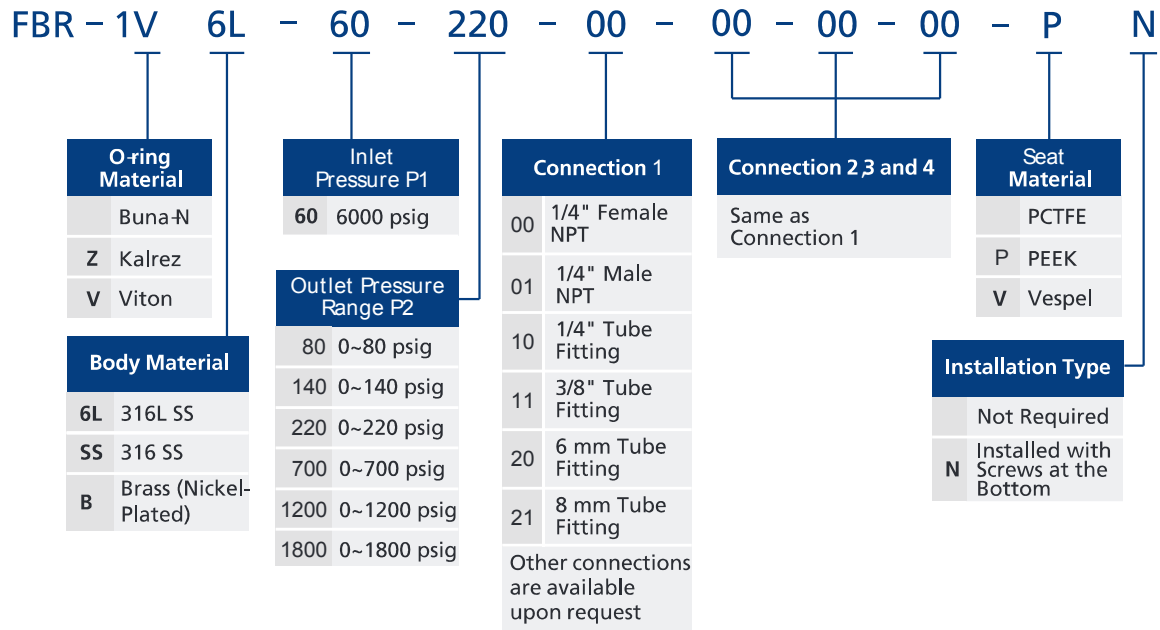
2-Port Type



4-Port Type



Part Number Description



Note: Most configurations are available.

Examples of part number:

a. 2-port type (1 in, 1 out): FBR-16L-60-80-00-00

b. 4-port type (2 in, 2 out): FBR-16L-60-80-00-00-00-00