



**SISON**  
VALUE FOR MONEY

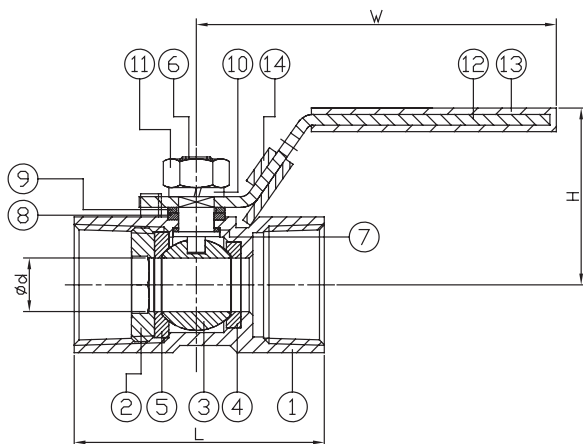
## 1-PC. SCREWED END BALL VALVE

**Serie 2017K**



### FEATURES

- Reduced port, 1/4"~3" (DN8~DN80)
  - W.P. : 1000 WOG (PN63)
  - W.T. : -20°C~200°C (-4°F~392°F)
  - Investment casting
  - Blow-out proof stem
  - Anti-static device (option)
  - Locking device
- Thread type : ASTM B1.20.1 (NPT)  
DIN2999 & BS21  
ISO7/1 & EN10226



| ITEM | PARTS          | MATERIAL       |               |
|------|----------------|----------------|---------------|
| 1    | BODY           | ASTM A351-CF8M | ASTM A351-CF8 |
| 2    | RETAINER       | ASTM A351-CF8M |               |
| 3    | BALL           | ASTM A351-CF8M |               |
| 4    | SEAT A         | PTFE / RTFE    |               |
| 5    | SEAT B         |                |               |
| 6    | STEM           | AISI 316       | AISI 304      |
| 7    | THRUST WASHER  | PTFE           |               |
| 8    | PACKING        |                |               |
| 9    | GLAND RING     |                |               |
| 10   | SPRING WASHER  | AISI 304       |               |
| 11   | STEM NUT       |                |               |
| 12   | HANDLE         |                |               |
| 13   | HANDLE SLEEVE  | PVC            |               |
| 14   | LOCKING DEVICE | AISI 304       |               |

| DN | d    | L   | W   | H  |
|----|------|-----|-----|----|
| 8  | 5    | 39  | 71  | 33 |
| 10 | 7    | 44  | 91  | 35 |
| 15 | 9.2  | 55  | 95  | 40 |
| 20 | 12.5 | 59  | 95  | 44 |
| 25 | 15   | 69  | 113 | 50 |
| 32 | 20   | 77  | 113 | 57 |
| 40 | 25   | 81  | 141 | 64 |
| 50 | 32   | 97  | 141 | 68 |
| 65 | 38   | 127 | 190 | 85 |
| 80 | 50   | 153 | 190 | 90 |

unit:mm

| NPS    | d    | L    | W    | H    |
|--------|------|------|------|------|
| 1/4"   | 0.2  | 1.54 | 2.8  | 1.3  |
| 3/8"   | 0.28 | 1.73 | 3.58 | 1.38 |
| 1/2"   | 0.36 | 2.17 | 3.74 | 1.57 |
| 3/4"   | 0.49 | 2.32 | 3.74 | 1.73 |
| 1"     | 0.59 | 2.72 | 4.45 | 1.97 |
| 1-1/4" | 0.79 | 3.03 | 4.45 | 2.24 |
| 1-1/2" | 0.98 | 3.19 | 5.55 | 2.52 |
| 2"     | 1.26 | 3.82 | 5.55 | 2.68 |
| 2-1/2" | 1.5  | 5    | 7.48 | 3.35 |
| 3"     | 1.97 | 6.02 | 7.48 | 3.54 |

unit:in



**SISON**  
VALUE FOR MONEY

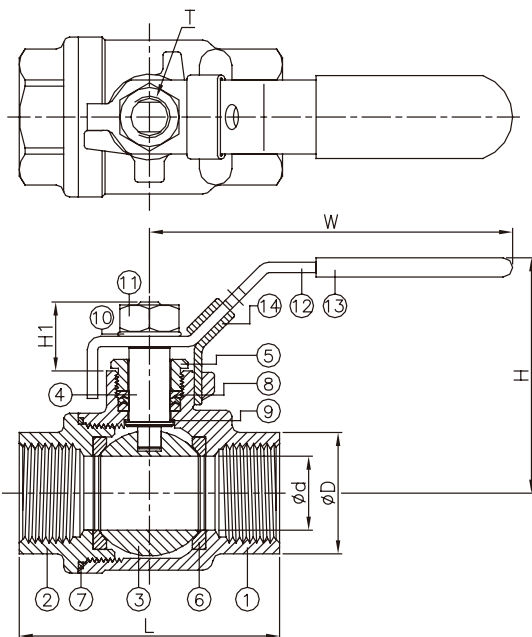
## 2-PC. SCREWED END BALL VALVE

**Serie 2006S**

### FEATURES



- Full port, 1/4"~3" (DN8~DN80)
- W.P. : 1000 WOG (PN63)
- W.T. : -20°C~200°C (-4°F~392°F)
- Investment casting
- Blow-out proof stem
- Locking device
- Tapped & drilled mounting pad (option)
- TA-Luft approved (option)
- Length conform to DIN 3202/4-M3-2006SM3 (option)
- Thread type : ASME B1.20.1 (NPT)  
DIN2999 & BS21  
ISO7/1 & EN10226



| ITEM | PARTS          | MATERIAL                     |
|------|----------------|------------------------------|
| 1    | BODY           | ASTM A351-CF8M ASTM A216-WCB |
| 2    | CAP            |                              |
| 3    | BALL           | ASTM A351-CF8M               |
| 4    | STEM           | ASTM A276-316                |
| 5    | GLAND          | AISI 304                     |
| 6    | SEAT           | PTFE / RTFE                  |
| 7    | SEAL           | PTFE                         |
| 8    | PACKING        |                              |
| 9    | THRUST WASHER  | AISI 304                     |
| 10   | SPRING WASHER  |                              |
| 11   | NUT            |                              |
| 12   | HANDLE         | PVC                          |
| 13   | HANDLE SLEEVE  |                              |
| 14   | LOCKING DEVICE | AISI 304                     |

| DN | d    | D    | L    | H    | H1   | T           | W   | Torque (N-m) | Weight (kg) |
|----|------|------|------|------|------|-------------|-----|--------------|-------------|
| 8  | 11.6 | 19   | 50.8 | 58.5 | 18   | 3/8"-24UNF  | 100 | 3.5          | 0.2         |
| 10 | 12.5 | 22.5 | 50.8 | 58.5 | 18   | 3/8"-24UNF  | 100 | 4            | 0.2         |
| 15 | 15   | 26   | 58   | 58.5 | 18.5 | 3/8"-24UNF  | 100 | 5.5          | 0.3         |
| 20 | 20   | 32   | 65.6 | 63.5 | 22.5 | 7/16"-20UNF | 125 | 7.5          | 0.5         |
| 25 | 25   | 38   | 78.7 | 78   | 25   | 7/16"-20UNF | 149 | 11           | 0.8         |
| 32 | 32   | 48   | 90   | 83   | 26   | 7/16"-20UNF | 149 | 15           | 1.1         |
| 40 | 38   | 54.8 | 105  | 102  | 30   | 1/2"-20UNF  | 190 | 20           | 1.8         |
| 50 | 50   | 67   | 124  | 108  | 30   | 1/2"-20UNF  | 190 | 40           | 2.7         |
| 65 | 63   | 85   | 146  | 138  | 40   | 3/4"-10UNF  | 250 | 60           | 5.6         |
| 80 | 76   | 100  | 164  | 146  | 40   | 3/4"-10UNF  | 250 | 85           | 7.5         |

| NPS    | d    | D    | L    | H    | H1   | T           | W    | Torque (in-lb) | Weight (lb) |
|--------|------|------|------|------|------|-------------|------|----------------|-------------|
| 1/4"   | 0.46 | 0.75 | 2    | 2.3  | 0.71 | 3/8"-24UNF  | 3.94 | 31             | 0.5         |
| 3/8"   | 0.49 | 0.89 | 2    | 2.3  | 0.71 | 3/8"-24UNF  | 3.94 | 35.4           | 0.5         |
| 1/2"   | 0.59 | 1.02 | 2.28 | 2.3  | 0.73 | 3/8"-24UNF  | 3.94 | 48.7           | 0.7         |
| 3/4"   | 0.79 | 1.26 | 2.58 | 2.5  | 0.89 | 7/16"-20UNF | 4.92 | 66.4           | 1           |
| 1"     | 0.98 | 1.5  | 3.1  | 3.07 | 0.98 | 7/16"-20UNF | 5.87 | 97.4           | 1.7         |
| 1-1/4" | 1.26 | 1.89 | 3.54 | 3.27 | 1.02 | 7/16"-20UNF | 5.87 | 132.8          | 2.5         |
| 1-1/2" | 1.5  | 2.16 | 4.13 | 4.02 | 1.18 | 1/2"-20UNF  | 7.48 | 177            | 3.9         |
| 2"     | 1.97 | 2.64 | 4.88 | 4.25 | 1.18 | 1/2"-20UNF  | 7.48 | 354            | 5.9         |
| 2-1/2" | 2.48 | 3.35 | 5.75 | 5.43 | 1.57 | 3/4"-10UNF  | 9.84 | 531            | 12.4        |
| 3"     | 2.99 | 3.94 | 6.46 | 5.75 | 1.57 | 3/4"-10UNF  | 9.84 | 752.3          | 16.5        |

unit:mm

unit:in



**SISON**  
VALUE FOR MONEY

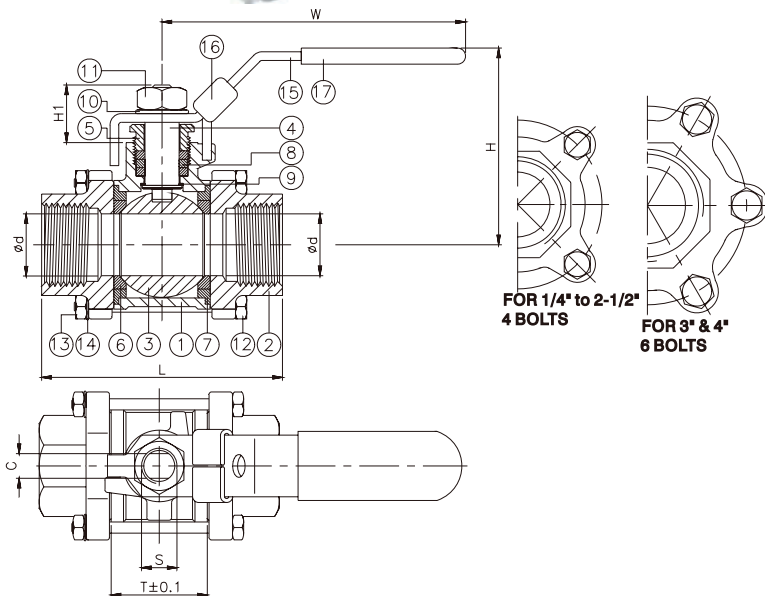
# 3-PC. SCREWED END BALL VALVE

**Serie 2013N**

## FEATURES



- Full port, 1/4"~4" (DN8~DN100)
- W.P. : 1000 WOG (PN63)
- W.T. : -20°C~200°C (-4°F~392°F)
- Investment casting
- Blow-out proof stem
- Locking device
- TA-Luft approved (option)
- Length conform to DIN 3202/4-M3-2013N-M3 (option)
- Thread type : ASME B1.20.1 (NPT) DIN2999 & BS21 ISO7/1 & EN10226



| ITEM | PARTS          | MATERIAL                     |
|------|----------------|------------------------------|
| 1    | BODY           | ASTM A351-CF8M ASTM A216-WCB |
| 2    | CAP            |                              |
| 3    | BALL           | ASTM A351-CF8M               |
| 4    | STEM           | ASTM A276-316                |
| 5    | GLAND NUT      | AISI 304                     |
| 6    | SEAT           | PTFE / RTFE                  |
| 7    | SEAL           |                              |
| 8    | PACKING        | PTFE                         |
| 9    | THRUST WASHER  |                              |
| 10   | SPRING WASHER  |                              |
| 11   | STEM NUT       |                              |
| 12   | BOLT           |                              |
| 13   | NUT            | AISI 304                     |
| 14   | SPRING WASHER  |                              |
| 15   | HANDLE         |                              |
| 16   | LOCKING DEVICE |                              |
| 17   | HANDLE SLEEVE  | PVC                          |

| DN  | d1   | L   | H    | H1   | W   | T     | C   | S           | Torque (N-M) | Weight (kg) |
|-----|------|-----|------|------|-----|-------|-----|-------------|--------------|-------------|
| 8   | 11.6 | 65  | 58.5 | 18   | 100 | 21.6  | 5   | 3/8"-24UNF  | 3.5          | 0.4         |
| 10  | 12.5 | 65  | 58.5 | 18   | 100 | 21.6  | 5   | 3/8"-24UNF  | 4            | 0.4         |
| 15  | 15   | 65  | 62   | 18.5 | 100 | 24    | 5   | 3/8"-24UNF  | 5.5          | 0.5         |
| 20  | 20   | 75  | 62   | 22.5 | 125 | 29.7  | 6.5 | 7/16"-20UNF | 7.5          | 0.7         |
| 25  | 25   | 85  | 77   | 25   | 149 | 34.4  | 7.9 | 7/16"-20UNF | 11           | 1           |
| 32  | 32   | 101 | 82   | 26   | 149 | 42.8  | 7.9 | 7/16"-20UNF | 15           | 1.6         |
| 40  | 38   | 112 | 100  | 30   | 190 | 51.1  | 10  | 1/2"-20UNF  | 20           | 2.5         |
| 50  | 50   | 130 | 108  | 30   | 190 | 63.4  | 10  | 1/2"-20UNF  | 40           | 3.5         |
| 65  | 63   | 162 | 137  | 40   | 250 | 81.2  | 12  | 3/4"-10UNC  | 60           | 6.7         |
| 80  | 76   | 188 | 145  | 40   | 250 | 95.6  | 12  | 3/4"-10UNC  | 85           | 9.5         |
| 100 | 96   | 224 | 179  | 54   | 323 | 127.1 | 16  | 1"-8UNC     | 150          | 19.1        |

| NPS    | d1   | L    | H    | H1   | W     | T    | C    | S           | Torque (in-lb) | Weight (lb) |
|--------|------|------|------|------|-------|------|------|-------------|----------------|-------------|
| 1/4"   | 0.46 | 2.56 | 2.3  | 0.71 | 3.94  | 0.85 | 0.2  | 3/8"-24UNF  | 31             | 0.8         |
| 3/8"   | 0.49 | 2.56 | 2.3  | 0.71 | 3.94  | 0.85 | 0.2  | 3/8"-24UNF  | 35.4           | 0.8         |
| 1/2"   | 0.59 | 2.56 | 2.44 | 0.73 | 3.94  | 0.94 | 0.2  | 3/8"-24UNF  | 48.7           | 1.1         |
| 3/4"   | 0.79 | 2.95 | 2.44 | 0.89 | 4.92  | 1.17 | 0.26 | 7/16"-20UNF | 66.4           | 1.5         |
| 1"     | 0.98 | 3.35 | 3.03 | 0.98 | 5.87  | 1.35 | 0.31 | 7/16"-20UNF | 97.4           | 2.2         |
| 1-1/4" | 1.26 | 3.98 | 3.23 | 1.02 | 5.87  | 1.69 | 0.31 | 7/16"-20UNF | 132.8          | 3.5         |
| 1-1/2" | 1.5  | 4.41 | 3.94 | 1.18 | 7.48  | 2.01 | 0.39 | 1/2"-20UNF  | 177            | 5.5         |
| 2"     | 1.97 | 5.12 | 4.25 | 1.18 | 7.48  | 2.5  | 0.39 | 1/2"-20UNF  | 354            | 7.7         |
| 2-1/2" | 2.48 | 6.38 | 5.39 | 1.57 | 9.84  | 3.2  | 0.47 | 3/4"-10UNC  | 531            | 14.8        |
| 3"     | 2.99 | 7.4  | 5.71 | 1.57 | 9.84  | 3.76 | 0.47 | 3/4"-10UNC  | 752.3          | 20.9        |
| 4"     | 3.78 | 8.82 | 7.05 | 2.13 | 12.72 | 5    | 0.63 | 1"-8UNC     | 1327.6         | 42.1        |

unit:mm

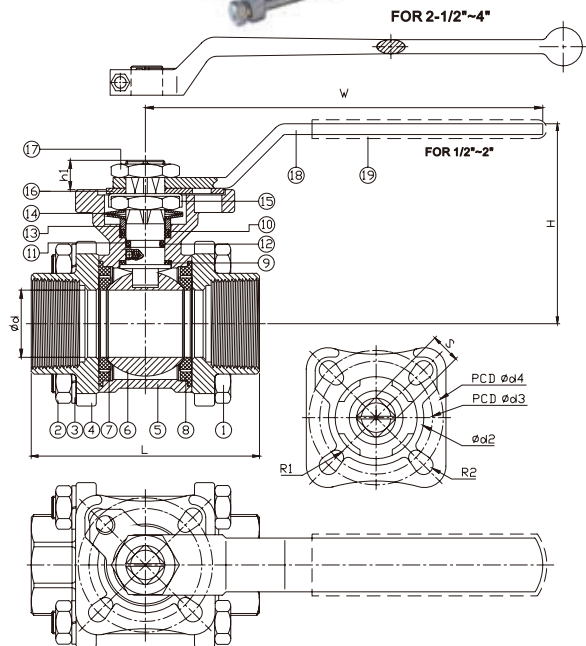


**SISON**  
VALUE FOR MONEY

## 3-PC. SCREWED END BALL VALVE

**Serie 2013ND**

### FEATURES



- Full port, 1/2"~4" (DN15~DN100)
- W.P. : 1000 WOG (PN63)
- W.T. : -20°C~200°C (-4°F~392°F)
- Investment casting
- Blow-out proof stem
- Live-loading design
- Locking device
- Anti-static device
- ISO 5211 Direct mounting pad
- Length conform to DIN 3202/4-M3-2013ND-M3 (option)
- ISO 15848 fugitive emission approved (option)
- Automation accessories (option)
- Thread type : ASME B1.20.1 (NPT) DIN2999 & BS21 ISO7/1 & EN10226

| ITEM | PARTS             | MATERIAL       |
|------|-------------------|----------------|
| 1    | BOLT              | AISI 304       |
| 2    | BOLT NUT          |                |
| 3    | SPRING WASHER     |                |
| 4    | CAP               | ASTM A351-CF8M |
| 5    | BODY              |                |
| 6    | BALL              | PTFE / RTFE    |
| 7    | SEAT              |                |
| 8    | SEAL              | PTFE           |
| 9    | THRUST WASHER     |                |
| 10   | PACKING           | VITON          |
| 11   | O-RING            |                |
| 12   | STEM              | ASTM A276-316  |
| 13   | GLAND RING        | AISI 304       |
| 14   | BELLEVILLE WASHER |                |
| 15   | LOCKING WASHER    |                |
| 16   | LOCKING DEVICE    |                |
| 17   | STEM NUT          |                |
| 18   | HANDLE            | PVC            |
| 19   | HANDLE SLEEVE     |                |

| DN  | d  | L   | H     | W   | S  | h1   | d2   | d3  | d4  | R1   | R2   | Weight (kg) | Torque (N-M) |
|-----|----|-----|-------|-----|----|------|------|-----|-----|------|------|-------------|--------------|
| 15  | 15 | 65  | 60    | 120 | 9  | 8.5  | 31   | 36  | 42  | 2.75 | 2.75 | 0.6         | 7.5          |
| 20  | 20 | 75  | 64    | 120 | 9  | 8.5  | 31   | 36  | 42  | 2.75 | 2.75 | 0.7         | 11           |
| 25  | 25 | 85  | 74    | 148 | 11 | 11   | 35.5 | 42  | 50  | 2.75 | 3.5  | 1.1         | 14           |
| 32  | 32 | 101 | 79    | 148 | 11 | 11   | 35.5 | 42  | 50  | 2.75 | 3.5  | 1.7         | 21           |
| 40  | 38 | 112 | 95    | 178 | 14 | 13.5 | 56   | 50  | 70  | 3.5  | 4.5  | 2.6         | 27           |
| 50  | 50 | 130 | 103   | 178 | 14 | 13.5 | 56   | 50  | 70  | 3.5  | 4.5  | 3.7         | 50           |
| 65  | 63 | 162 | 123   | 325 | 17 | 20.5 | 76   | 70  | 102 | 4.5  | 5.5  | 7.1         | 85           |
| 80  | 76 | 188 | 131.5 | 325 | 17 | 20.5 | 76   | 70  | 102 | 4.5  | 5.5  | 10.2        | 97           |
| 100 | 96 | 224 | 165.5 | 325 | 22 | 22.5 | 100  | 102 | 125 | 5.5  | 6.5  | 19.4        | 150          |

| NPS    | d    | L    | H    | W    | S    | h1   | d2   | d3   | d4   | R1   | R2   | Weight (lb) | Torque (in-lb) |
|--------|------|------|------|------|------|------|------|------|------|------|------|-------------|----------------|
| 1/2"   | 0.59 | 2.56 | 2.36 | 4.72 | 0.35 | 0.33 | 1.22 | 1.42 | 1.65 | 0.11 | 0.11 | 1.2         | 66.4           |
| 3/4"   | 0.79 | 2.95 | 2.52 | 4.72 | 0.35 | 0.33 | 1.22 | 1.42 | 1.65 | 0.11 | 0.11 | 1.6         | 97.4           |
| 1"     | 0.98 | 3.35 | 2.91 | 5.83 | 0.43 | 0.43 | 1.4  | 1.65 | 1.97 | 0.11 | 0.14 | 2.4         | 123.9          |
| 1-1/4" | 1.26 | 3.98 | 3.11 | 5.83 | 0.43 | 0.43 | 1.4  | 1.65 | 1.97 | 0.11 | 0.14 | 3.7         | 185.9          |
| 1-1/2" | 1.5  | 4.41 | 3.74 | 7.01 | 0.55 | 0.53 | 2.2  | 1.97 | 2.76 | 0.14 | 0.18 | 5.7         | 239            |
| 2"     | 1.97 | 5.12 | 4.06 | 7.01 | 0.55 | 0.53 | 2.2  | 1.97 | 2.76 | 0.14 | 0.18 | 8.2         | 442.5          |
| 2-1/2" | 2.48 | 6.38 | 4.84 | 12.8 | 0.67 | 0.81 | 2.99 | 2.76 | 4.02 | 0.18 | 0.22 | 15.7        | 752.3          |
| 3"     | 2.99 | 7.4  | 5.18 | 12.8 | 0.67 | 0.81 | 2.99 | 2.76 | 4.02 | 0.18 | 0.22 | 22.5        | 858.5          |
| 4"     | 3.78 | 8.82 | 6.52 | 12.8 | 0.87 | 0.89 | 3.94 | 4.02 | 4.92 | 0.22 | 0.26 | 42.8        | 1327.6         |

unit:mm

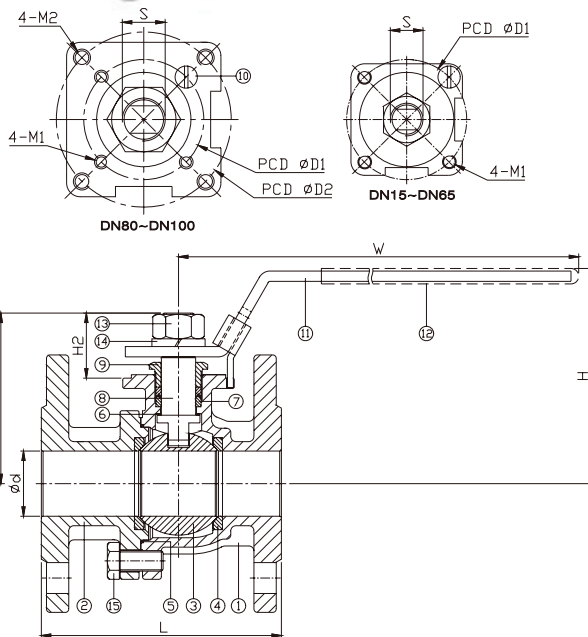
unit:in



**SISON**  
VALUE FOR MONEY

## 2-PC. FLANGED END BALL VALVE

**Serie 2019S**



## FEATURES

- Full port, 1/2"~10" (DN15~DN250)
- W.P. : PN16/40
- W.T. : -20°C~200°C (-4°F~392°F)
- Investment casting
- Blow-out proof stem
- Anti-static device (option)
- Locking device
- ISO 5211 Mounting pad
- TA-Luft approved (option)
- ISO 5211 Direct mounting pad - 2019SD (option)

- Flange dimension: DIN 2501
- Face to face: DIN 3202 part1 - F4/F5

| ITEM | PARTS         | MATERIAL       |
|------|---------------|----------------|
| 1    | BODY          | ASTM A351-CF8M |
| 2    | CAP           | ASTM A216-WCB  |
| 3    | BALL          | ASTM A351-CF8M |
| 4    | SEAT          | PTFE / RTFE    |
| 5    | SEAL          |                |
| 6    | THRUST WASHER | PTFE           |
| 7    | PACKING       |                |
| 8    | STEM          | ASTM A276-316  |
| 9    | GLAND NUT     |                |
| 10   | STOP PIN      | AISI 304       |
| 11   | HANDLE        |                |
| 12   | HANDLE SLEEVE | PVC            |
| 13   | STEM NUT      |                |
| 14   | SPRING WASHER | AISI 304       |
| 15   | BOLT          |                |

| DN  | d   | L   | H   | H1    | H2   | S    | W     | D1 | D2  | M1 | M2  | Torque(N-m) |
|-----|-----|-----|-----|-------|------|------|-------|----|-----|----|-----|-------------|
| 15  | 15  | 115 | 86  | 57.2  | 23.7 | 11.1 | 169   | 42 | -   | M5 | -   | 7.5         |
| 20  | 20  | 120 | 89  | 59    | 23.5 | 11.1 | 169   | 42 | -   | M5 | -   | 7.6         |
| 25  | 25  | 125 | 104 | 73.5  | 29.5 | 12.7 | 205.5 | 50 | -   | M6 | -   | 17.5        |
| 32  | 32  | 130 | 109 | 78    | 29.5 | 12.7 | 205.5 | 50 | -   | M6 | -   | 20          |
| 40  | 38  | 140 | 130 | 100.9 | 39.4 | 19.1 | 267   | 70 | -   | M8 | -   | 22.9        |
| 50  | 50  | 150 | 135 | 107.4 | 39.4 | 19.1 | 267   | 70 | -   | M8 | -   | 32.2        |
| 65  | 63  | 170 | 145 | 116.1 | 38.6 | 19.1 | 298   | 70 | -   | M8 | -   | 42.3        |
| 80  | 76  | 180 | 166 | 139   | 43   | 19.1 | 390   | 70 | 102 | M8 | M10 | 87.2        |
| 100 | 100 | 190 | 181 | 157   | 43   | 19.1 | 390   | 70 | 102 | M8 | M10 | 98.2        |

| NPS    | d    | L    | H    | H1   | H2   | S    | W     | D1   | D2   | M1 | M2  | Torque(in-lb) |
|--------|------|------|------|------|------|------|-------|------|------|----|-----|---------------|
| 1/2"   | 0.59 | 4.53 | 3.39 | 2.25 | 0.93 | 0.44 | 6.65  | 1.65 | -    | M5 | -   | 66.4          |
| 3/4"   | 0.79 | 4.72 | 3.5  | 2.32 | 0.93 | 0.44 | 6.65  | 1.65 | -    | M5 | -   | 67.3          |
| 1"     | 0.98 | 4.92 | 4.09 | 2.89 | 1.16 | 0.5  | 8.09  | 1.97 | -    | M6 | -   | 154.9         |
| 1-1/4" | 1.26 | 5.12 | 4.29 | 3.07 | 1.16 | 0.5  | 8.09  | 1.97 | -    | M6 | -   | 177           |
| 1-1/2" | 1.5  | 5.51 | 5.12 | 3.97 | 1.55 | 0.75 | 10.51 | 2.76 | -    | M8 | -   | 202.7         |
| 2"     | 1.97 | 5.91 | 5.31 | 4.23 | 1.55 | 0.75 | 10.51 | 2.76 | -    | M8 | -   | 285           |
| 2-1/2" | 2.48 | 6.69 | 5.71 | 4.57 | 1.52 | 0.75 | 11.73 | 2.76 | -    | M8 | -   | 374.4         |
| 3"     | 2.99 | 7.09 | 6.54 | 5.47 | 1.69 | 0.75 | 15.35 | 2.76 | 4.02 | M8 | M10 | 771.8         |
| 4"     | 3.94 | 7.48 | 7.13 | 6.18 | 1.69 | 0.75 | 15.35 | 2.76 | 4.02 | M8 | M10 | 869.2         |

unit:in